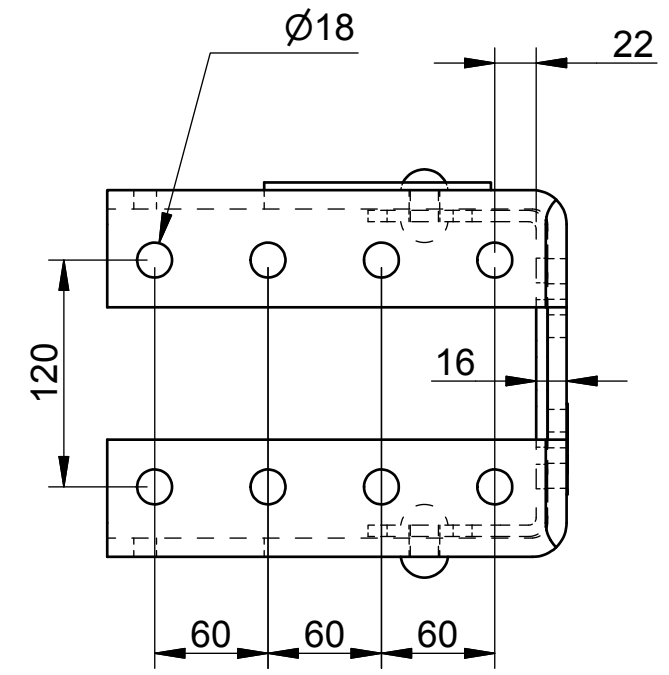
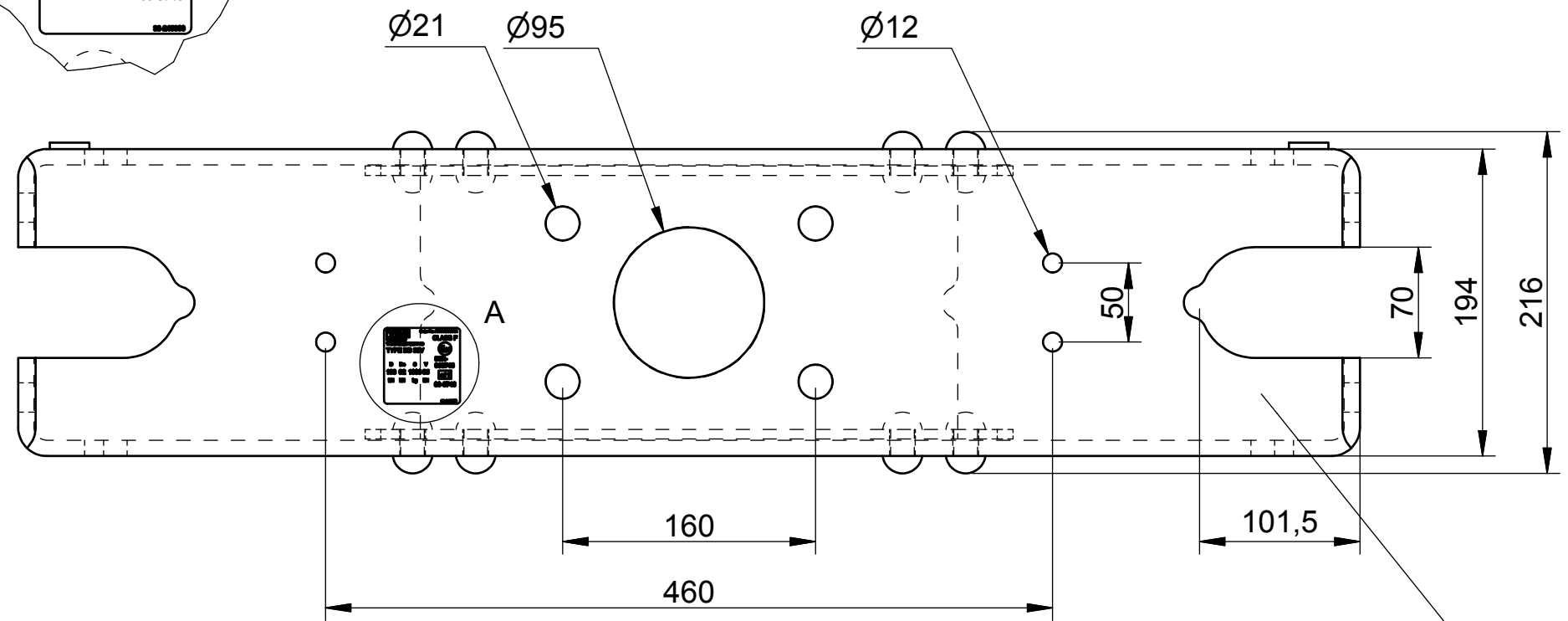
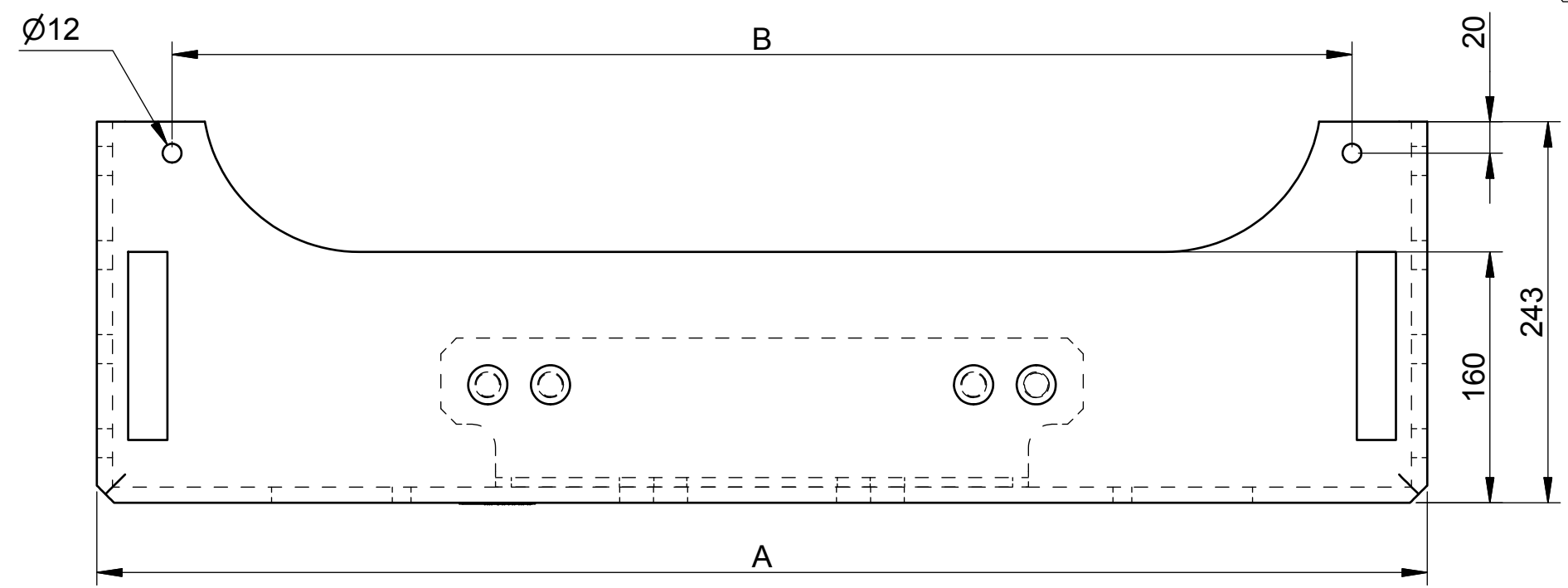


A (1:2)



Permanent marking "VBG", "length" and manufacturing "year" and "week".



Drawbeam length	A	B
850	849	753
834	833	753
784	783	671
770	769	671
766	765	671
752	751	671
742	741	647
728	727	647

<b>VBG GROUP</b>	Modified Date	Modified by	Modification No.	Issue
	2012-09-27	SN	11909	g
	3D Model No.	Engineer		Checked by
	20-095500	JB		
Description	Sheet Size	Scale	Projection	Drafting Date
DB 35V	A3	1:4	First Angle	2012-09-27
	Stage	Drawing No.		Drafted by
	P	20-095500 (F) INFO		SN
This drawing is the property of VBG Group AB and is protected in accordance with prevailing law. Changes must be made in CAD-program, this concerns both 2D & 3D.				