



Chicago Pneumatic

Product Informations

Printed Matter No. 6159990070

Date: 2024-04. Issue No. 02

Nutrunners

Valid from Serial No. B-00000-000000 to C-99999-999999

Models:

CP8603 6151570380
CP8603C 6151570390
CP8603CQ 6151570400
CP8603TC 6151570410

CP8613 6151570000
CP8613C 6151570010
CP8613CQ 6151570020
CP8613TC 6151570070

CP8613 WOB 6151570340
CP8613C WOB 6151570350
CP8613CQ WOB 6151570360
CP8613TC WOB 6151570710

CP8626 6151570030
CP8626C 6151570040
CP8626CQ 6151570050
CP8626TC 6151570080

CP8641 6151570060
CP8641C 6151570070
CP8641CQ 6151570080
CP8641TC 6151570690

CP8681 6151570090
CP8681C 6151570190
CP8681CQ 6151570200
CP8681TC 6151570700



	! WARNING
	Read all safety warnings and instructions.
	Failure to follow the safety warnings and instructions may result in electric shock, fire and/or serious injury. Save all warnings and instructions for future reference.

Summary

Product information.....	2
General information.....	2
Website.....	2
For Connected and Connected Quality versions tools.....	2
Product description.....	3
Installation instructions.....	4
Tool power supply.....	4
Insert the battery.....	4
Remove the battery.....	4
Install the reaction bar.....	5
Install the socket.....	5
Operating instructions.....	6
Operating the tool.....	8
Mode.....	9
Forward mode.....	9
Reverse mode.....	9
Neutral position.....	9
Torque set up.....	10
Reduce target torque, in forward mode.....	10
Increase target torque, in forward mode.....	10
In reverse mode.....	10
Stand-alone tools menu.....	11
Maintenance menu.....	12
Tool infos menu.....	13
Select unit menu.....	14
Troubleshooting.....	15
Usage.....	15
Maintenance.....	16
FAQ.....	19
Your tool cannot connect to CPLINQ.....	19
Service & maintenance.....	20

Product information

General information

⚠ WARNING Risk of Property Damage or Severe Injury.

Ensure that you read, understand, and follow all instructions before operating the tool. Failure to follow all the instructions may result in electric shock, fire, property damage and/or severe bodily injury.

- Read all safety Information delivered together with the different parts of the system.
- Read all product Instructions for installation, operation and maintenance of the different parts of the system.
- Read all locally legislated safety regulations with regard to the system and parts thereof.
- Save all safety information and instructions for future reference.

Website

Log in to Chicago Pneumatic: www.cp.com.

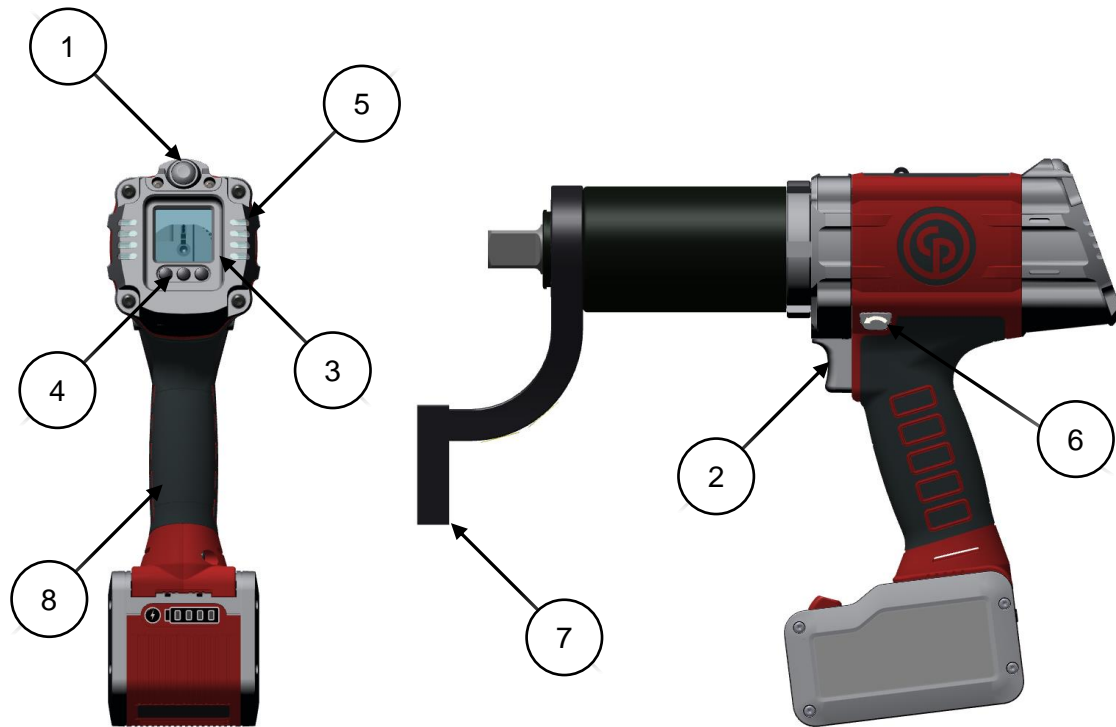
You can find information concerning our products, accessories, spare parts and published matters on our website.

For Connected and Connected Quality versions tools

To unblock all functionalities of CP86 “Connected” and “Connected Quality” versions, download the app CPLinQ to your device and connect your tool to CPLinQ app.



Product description



-
1. Second trigger
 2. Principal trigger
 3. Display screen
 4. Settings buttons
 5. Reporting LEDs
 6. Reverse button
 7. Reaction bas s-type (delivered with the tool)
 8. Handle (gripping surface)
-

Installation instructions

Tool power supply.

On delivery, the battery CP36XP25 (8940176068) is in deep sleep mode. To wake up the batteries remove white protective sticker, and plug the battery to CP charger CP18-36CH (8940176069)

To get more information on the battery charger, refer to the Product Instructions: 8940176811. To get more information on the battery pack, refer to the Product Instructions: 8940176810.

Insert the battery.

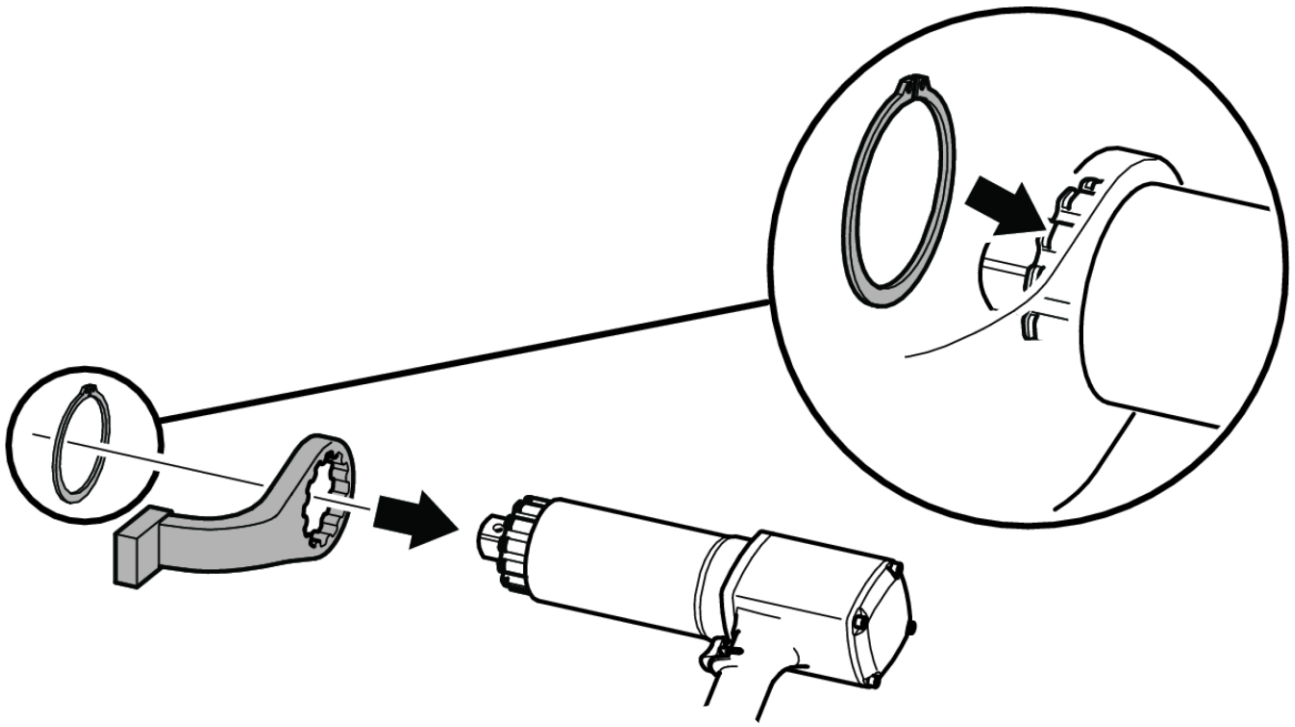
Insert the battery **firmly**, not slowly.



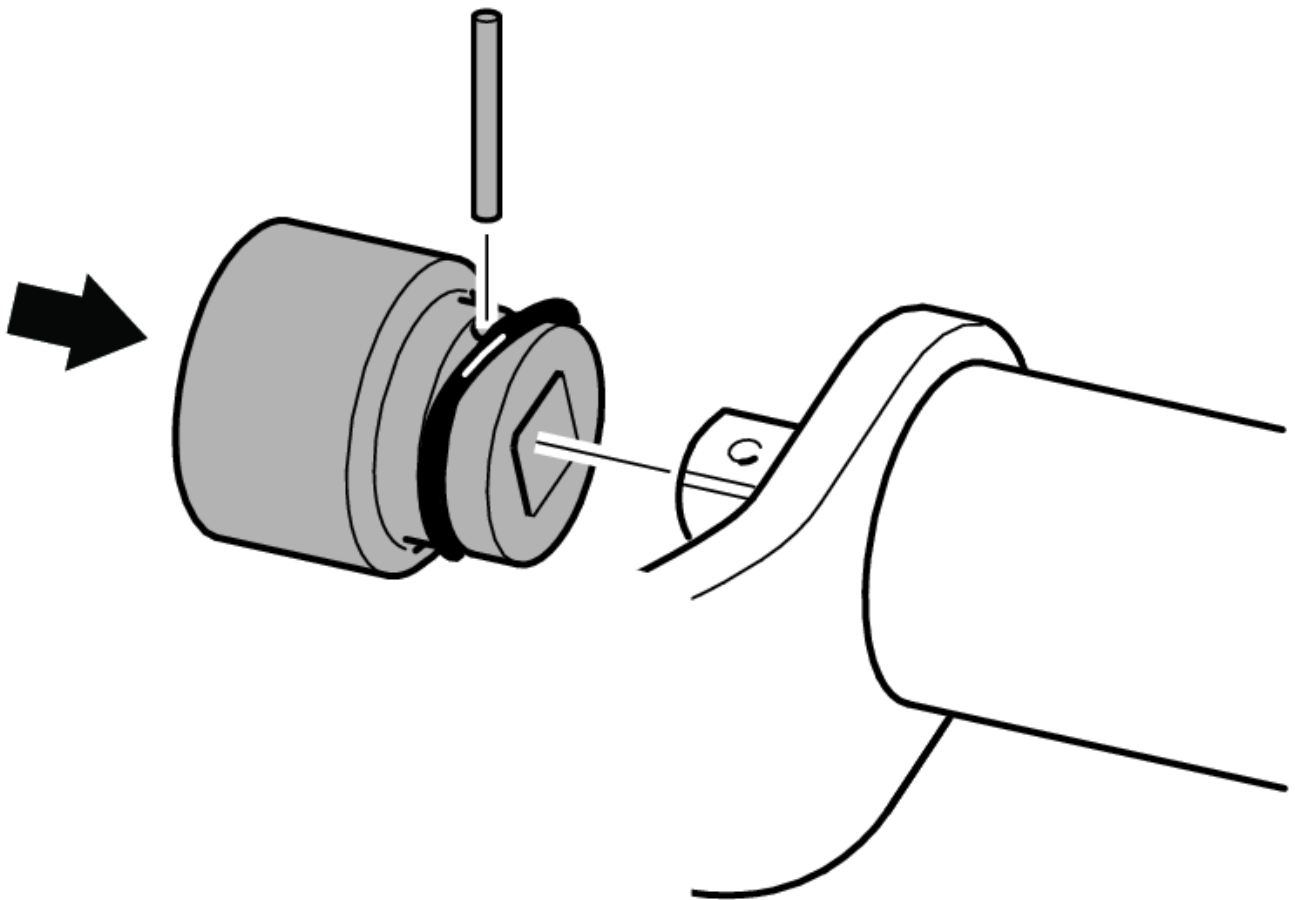
Remove the battery.



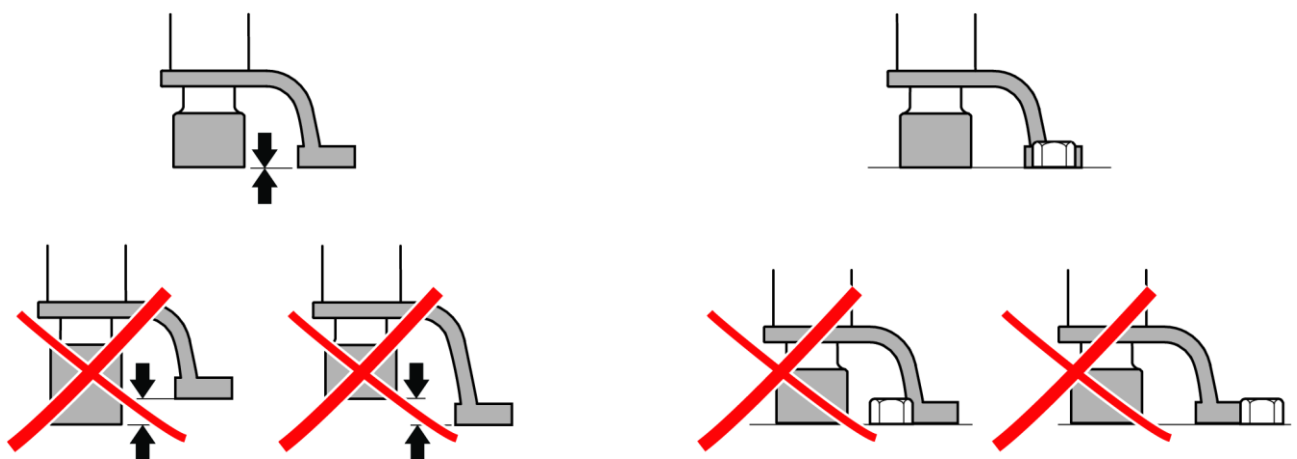
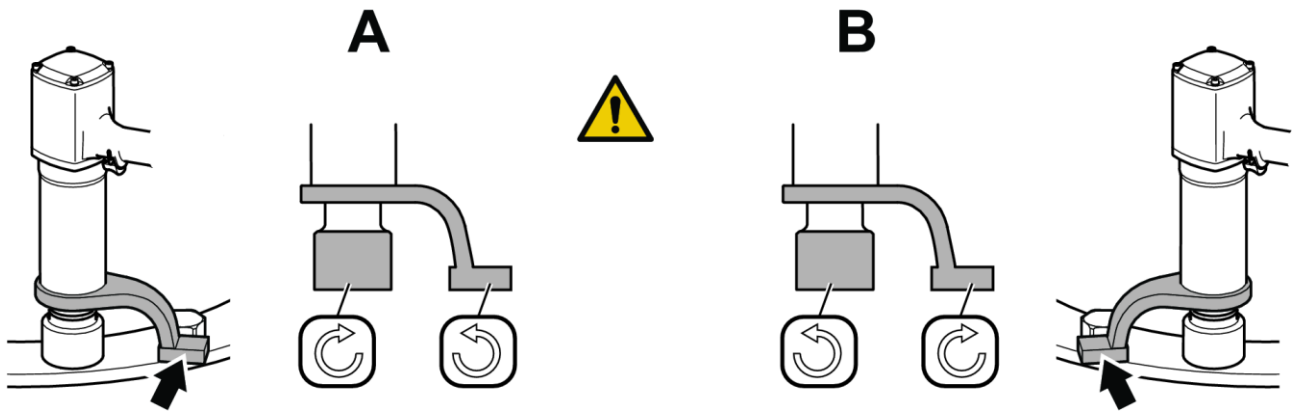
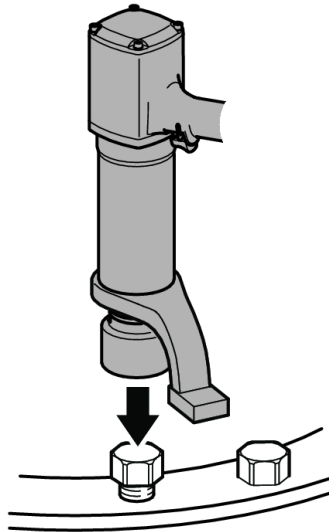
Install the reaction bar.



Install the socket.



Operating instructions



Starting the tool

Fit the tool with a suitable socket.

Set the appropriate program on the tool.

Hold the tool by means of the handle, place the reaction bar on a suitable reaction point and apply to the fastener to be tightened.

⚠ WARNING Risk of Injury

As the reaction force increases in proportion to the tightening torque, there is a risk of severe bodily injury of the operator as a result of unexpected behavior of the tool.

- ▶ Make sure that the tool is in perfect working order.

⚠ WARNING Risk of Burns



The motor may heat up during heavy duty cycles.

- ▶ Wear gloves.

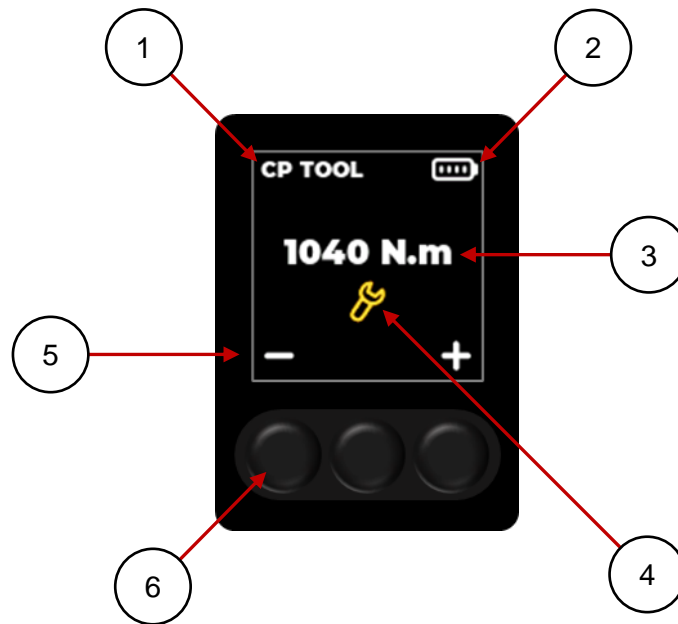
⚠ WARNING Crushing Hazard



Do a check of the rotational direction of the tool before start! A start in an unexpected rotational direction can cause bodily injury or property damage.

- ▶ Make sure that the rotational direction of the tool is correct before starting the tool.
- ▶ Keep your hands away from the reaction bar while the tool is used.
- ▶ Press triggers to start the tool.

Operating the tool.

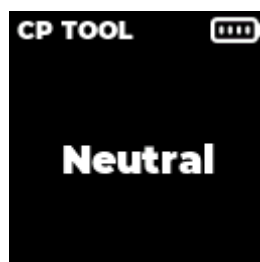


-
1. Tool name
 2. Battery level
 3. Target torque
 4. Type of application*
 5. Action for the buttons
 6. Buttons (x3)
-

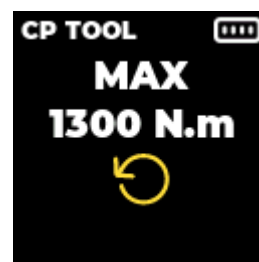
* Types of application:



Forward mode.



Neutral.



Reverse mode.

Mode

Forward mode.



Reverse mode.



Neutral position.



In neutral position, you have this message on the display.



Torque set up.

Reduce target torque, in forward mode.



Increase target torque, in forward mode.



In reverse mode.



Stand-alone tools menu.

To enter the menu, press the central button for 2-3 seconds.



To scroll through the menu, press the right (or left) button.

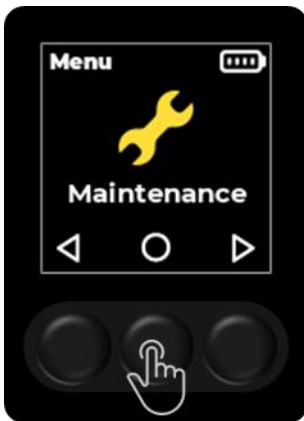


To return to the main page, press the central button when you're in the "Back" screen.



Maintenance menu.

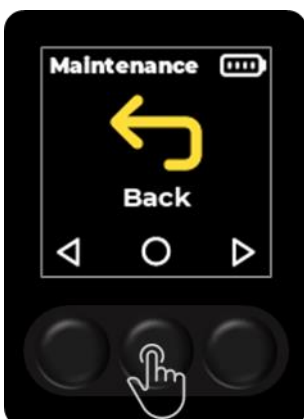
To enter the maintenance menu, press the central button when you're in this screen.



To scroll through the menu, press the right (or left) button. Values are the global values.

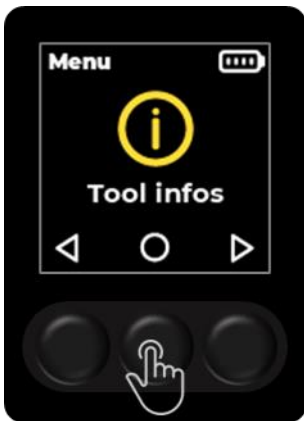


To return to the main page, press the central button when you're in the "Back" screen.



Tool infos menu.

To enter the tool infos menu, press the central button when you're in this screen.



To scroll through the menu, press the right (or left) button.



To return to the main page, press the central button when you're in the "Back" screen.



Select unit menu.

To change the unit, press the central button when you're in this screen.



Or



To return to the main page, scroll to the "Back" screen, and press the central button.



Troubleshooting

Usage



Why?

One of the triggers has been released during tightening. Torque or angle achieved is shown. Flashing between the two screens.

Solution:

Maintain both triggers until end of tightening.



Why?

Torque higher than maximum authorized or angle not achievable because of tool capacity exceeded.



Why?

The tool has detected a rehit. You are probably trying to tighten an already tightened bolt. When the angle measured by the tightener is $<5^\circ$.

Maintenance

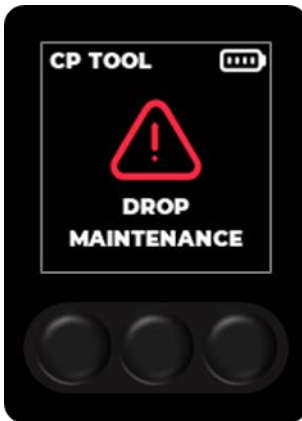


Why?

The nutrunner needs a maintenance due to time of operation.
Default threshold: **3600s**.

Solution:

Contact your service center.



Why?

The nutrunner needs a maintenance due to too many drops.
Default threshold: **5**.

Solution:

Contact your service center.



Why?

The nutrunner needs a maintenance due to number of tightening.
Default threshold: **1000**.

Solution:

Contact your service center.



Why?

The nutrunner needs a maintenance due to number of untightening.
Default threshold: **1000**.

Solution:

Contact your service center.

Battery



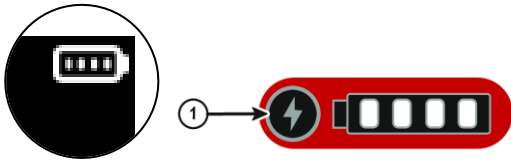
Why?

Level of battery is under **25%**.

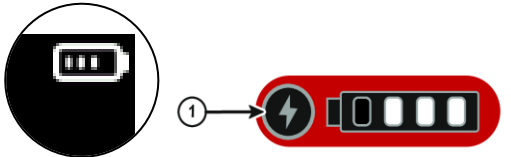
Solution:

Replace battery by fully loaded battery as soon as possible (refer to battery wake up procedure if needed)

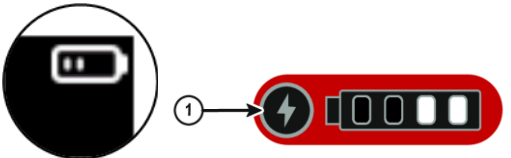
⚠ Immediately charge the low battery to prevent it from going into deep discharge.



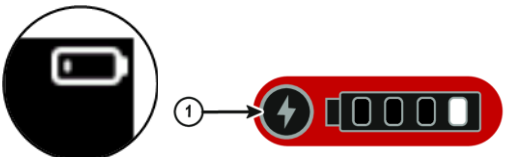
Battery level: **76% < 100%**.



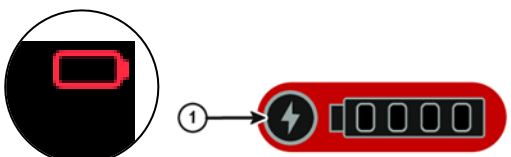
Battery level: **51% < 75%**.



Battery level: **26% < 50%**.

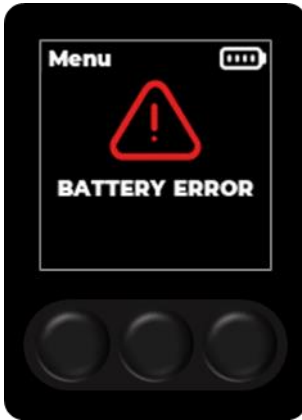


Battery level: **0% < 25%**.



Battery level: **0% < 10%**.

Other



Why?

The tool cannot communicate with the battery.

Solution:

Check if you are using the right battery (8940176068).

Check the pins of the battery connector and the tool connector.

Contact your service center.



Why?

Triggers have been used in bad order.

Solution:

Press the second trigger and maintain (1), then press main trigger (2) and maintain both until end of tightening.

For all system issue bellow, please contact your CP representative for support.



FAQ

Tool doesn't start.

1. Check that your Battery is awake.
2. Check Battery charge level.
3. Press both triggers to reset the boot.
4. If the problem occurs again, contact your CP representative for support.

Your tool cannot connect to CPLinQ.

1. Check that your Bluetooth is active on your terminal.
2. Try with another device (phone).
3. If the problem occurs again, contact your CP representative for support.

Rotation speed decreases

The speed is reduced after one minute and/or when 75% of the target torque is reached.
We reduce the speed to be precise at the end of screwdriving.
The speed is reduced to 50%.

Service & maintenance

Overhaul and preventive maintenance are recommended at regular intervals.

Maintenance should be performed by qualified personnel only.

Website Information concerning our Products, Accessories, Spare Parts, exploded views and Published Matters can be found on the CP website. Please visit: www.cp.com.

The use of spare parts other than those originally supplied by the manufacturer may result in a drop in performance or in increased maintenance and level of vibration and in the full cancellation of the manufacturer's liability.

For tool calibration or all other servicing operation, refer to your local service center.