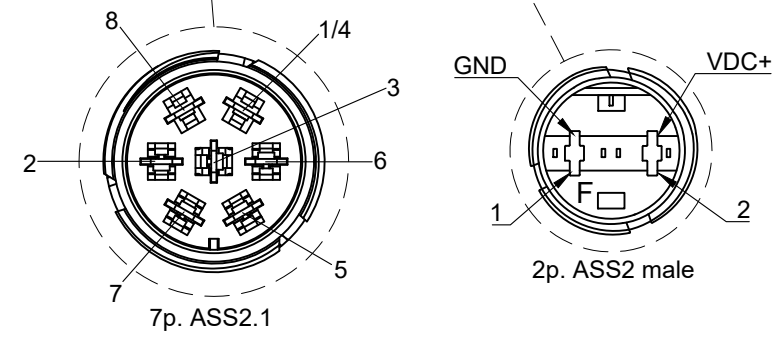
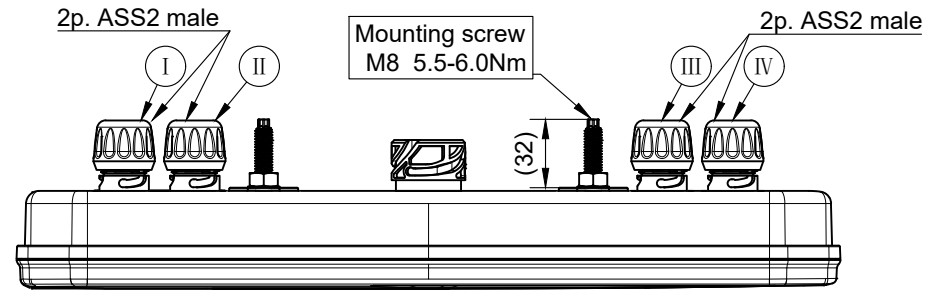
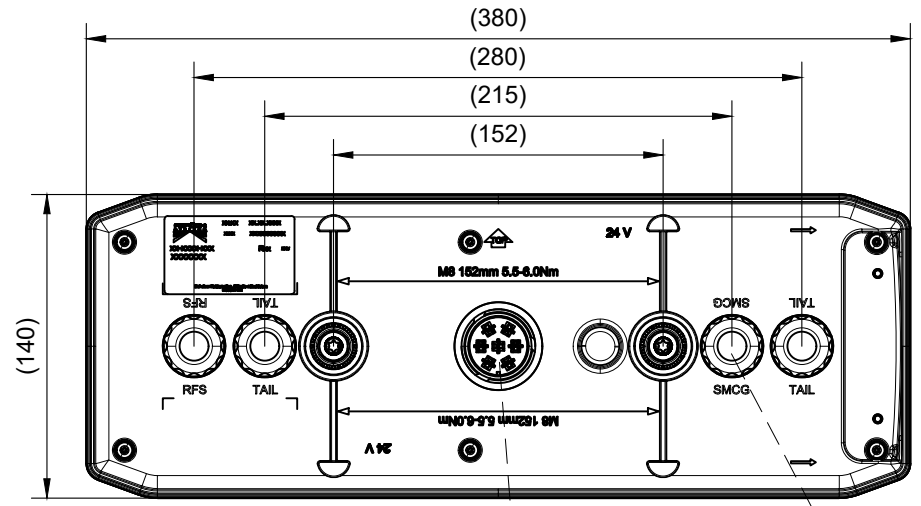
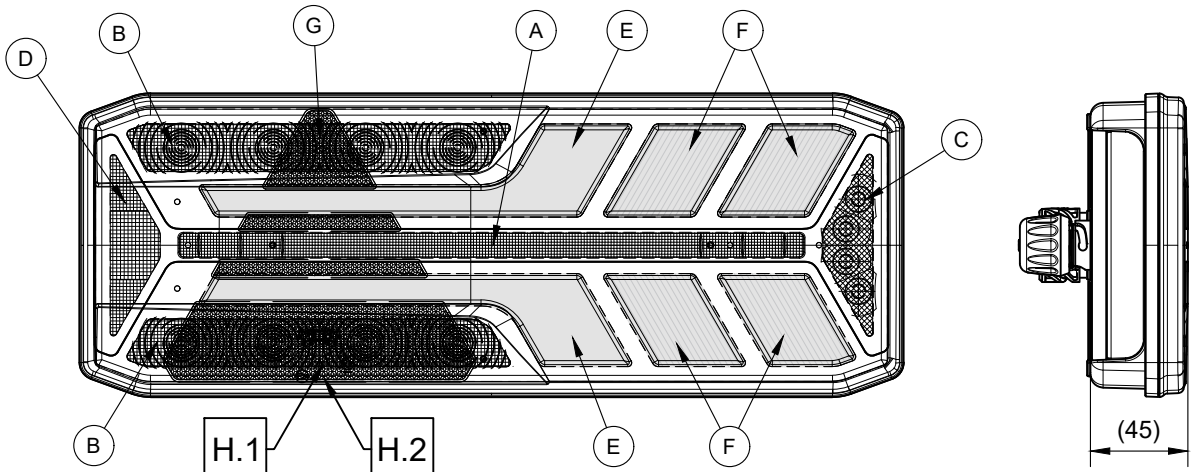
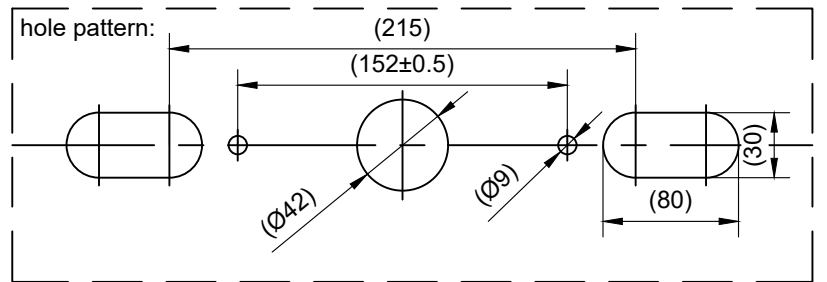


Level	Zone	ECI N°.	Revision note	Date	Designed	Checked



7p. ASS2.1	pin
Blinker LH <i>DI LH</i>	1 / 4
Nebelschl. <i>Fog</i>	2
Masse <i>GND</i>	3
Rücklicht RH <i>Tail RH</i>	5
Bremse <i>Stop</i>	6
Rücklicht LH <i>Tail LH</i>	7
Rückfahr. <i>Reverse</i>	8

Electrical Specification				
Funktion <i>Function</i>	Nennspannung <i>Nominal Voltage</i>	Spannungsbereich <i>Voltage Range</i>	Nennstrom <i>Nominal Current</i>	Nennleistung <i>Nominal Power</i>
Volt (V)	Volt (V)	Volt (V)	Ampere (A)	Watt (W)
DI	24V	18V - 33V	0.35A	8.3W
Stop	24V	18V - 33V	0.16A	3.8W
Reverse	24V	18V - 33V	0.11A	2.7W
Fog	24V	18V - 33V	0.17A	4.0W
Tail LH	24V	18V - 33V	0.15A	3.6W
Tail RH	24V	18V - 33V	0.10A	2.5W

Technische Daten zur SMCG/technical specification for SMCG:
 Spannungsbereich/voltage range: 18V - 33V
 Strombereich/current range: Ausgangsstrom/output current max. 1A
 Elektronisch Überspannungs- und Überstromgesichert/overcurrentprotected
 Thermische Stromabschaltung am Ausgang bei ca. 1,2A
 (Kurzschlussfest) Verpolungsschutz/thermal power cut-off at the output at approx. (shortcircuit proof) reserve polarity protection

FUNCTION:	
Blinker LH LED <i>DI LH LED</i>	A
Bremse LED <i>Stop LED</i>	B
Nebelschl. LED <i>Fog LED</i>	C
Rückfahr. LED <i>Reverse LED</i>	D
Rücklicht LH LED <i>Tail LH LED</i>	E
Rücklicht RH LED <i>Tail RH LED</i>	F
Reflektierendes Dreieck <i>Reflex reflector triangle</i>	G

FUNCTION:	
Rücklicht. RH <i>Tail RH</i>	I
SMCG Ausgang (Rüchl. LH) <i>SMCG out (Tail LH)</i>	II
Rücklicht. LH <i>Tail LH</i>	III
Rückfahr. <i>Reverse</i>	IV

Homologation description						
H.1	E9 1928	148R 00	R1	S1	2a	AR F1
H.2	E9 3902	150R 00	IIIA			

CP_03-0_Bemaßungsrichtlinie () Auxiliary dimension DIN 406-10 Theoretical dimension ISO 1101
 Test dimension (SPC) [] Unfinished dimension DIN 406-10 Surface quality ISO 1302

Designed by Leidinger Sabine 2022/08/31 Checked by Strubreiter Daniel 2022/09/.. Approved by Enzlmüller Manuel 2022/09/..

ASPOCK SYSTEMS Designation EcoLED III LH ASS2 7p. + 4x2p SMCG
 Drawing Nr. 25412302 Business Unit SALES - 24

Part Number 25-4123-027

Dimensions in mm

Transmittal, reproduction, dissemination and/or editing of this document as well as utilization of its contents and communication thereof to others without express authorization are prohibited. Offenders will be held liable for payment of damages. All rights created by patent grant or registration of a utility model or design patent are reserved.

DRAFT
 Project number -
 Tolerance CP_04-2_Toleranzen Verkabelungsprodukte
 Weight - Scale not in scale
 Level R01 Sheet 1 / 1

