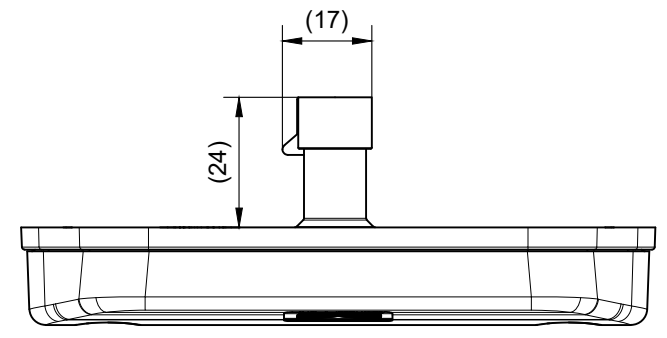
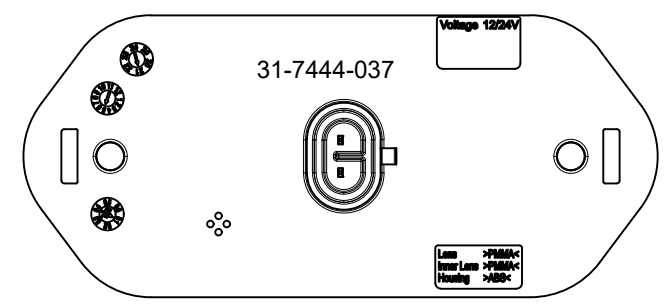
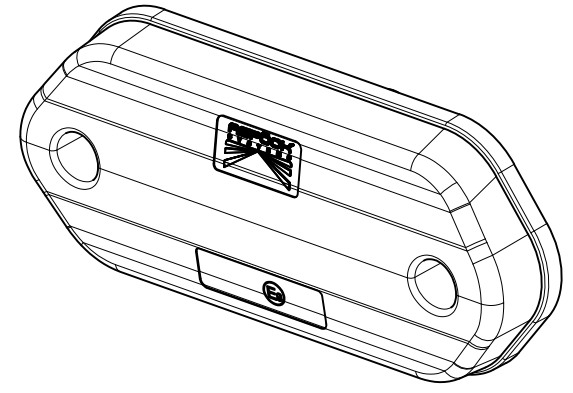
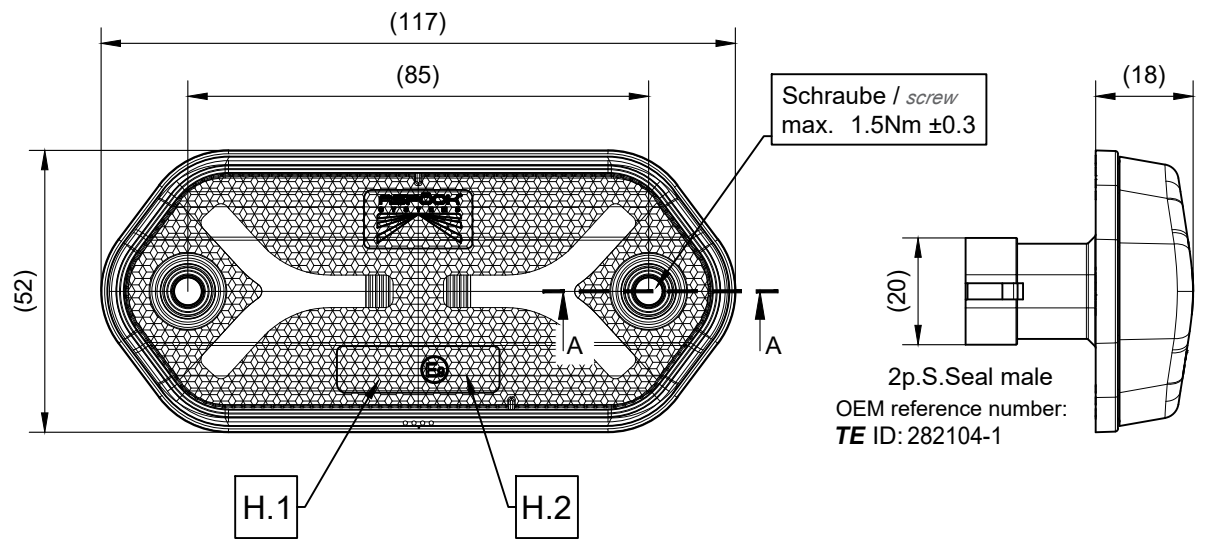
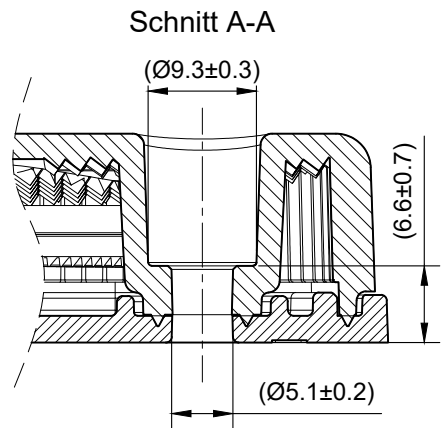


Level	Zone	ECI N°.	Revision note	Date	Designed	Checked
R02	02	19924	Titel geändert title changed	2023/07/11	Leiding. S	Lenzen. S



CONNECTOR:	
function	pin
Masse GND	1
+VDC +VDC	2

Electrical Specification				
Funktion Function	Nennspannung Nominal Voltage	Spannungsbereich Voltage Range	Nennstrom Nominal Current	Nennleistung Nominal Power
Volt (V)	Volt (V)	Volt (V)	Ampere (A)	Watt (W)
Flatpoint IV - white	12V / 24V	10V - 30V	0.04A / 0.05A	0.53W / 1.27W

Homologation description				
H.1	E9	148R	A	
	6061	00		
H.2	E9	158R	IB	
	1071	00		
H.2	E9	10R		
	23196	06		



CP_03-0_Bemaßungsrichtlinie ( )	Auxiliary dimension DIN 406-10		Theoretical dimension ISO 1101
	Test dimension (SPC)		Unfinished dimension DIN 406-10
			Surface quality ISO 1302
<b>Designed by</b> Leidinger Sabine	<b>Checked by</b> Strubreiter Daniel	<b>Approved by</b> Hinterberger Michael	
2023/04/18	2023/04/20	2023/04/20	
31-7444-037 Part Number	<b>Designation</b> Flatpoint IV AMP Ss WHITE 02		<b>Project number</b> -
	<b>Drawing Nr.</b> 31744403		<b>Weight</b> -
	<b>Business Unit</b> SALES - 24		<b>Scale</b> not in scale
<b>Dimensions</b> in mm		<b>Tolerance</b> CP_04-2_Toleranzen Verkabelungsprodukte	<b>Level</b> R02
Transmittal, reproduction, dissemination and/or editing of this document as well as utilization of its contents and communication thereof to others without express authorization are prohibited. Offenders will be held liable for payment of damages. All rights created by patent grant or registration of a utility model or design patent are reserved.			<b>Sheet</b> 1 / 1