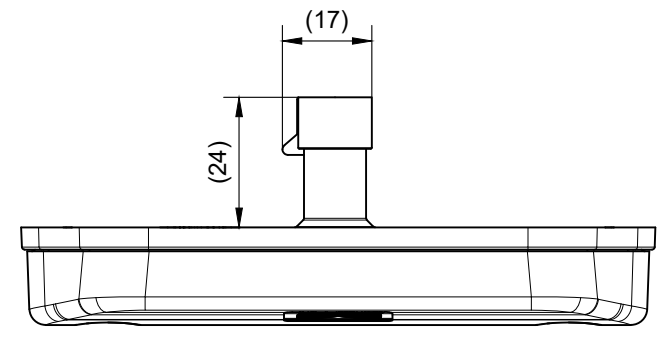
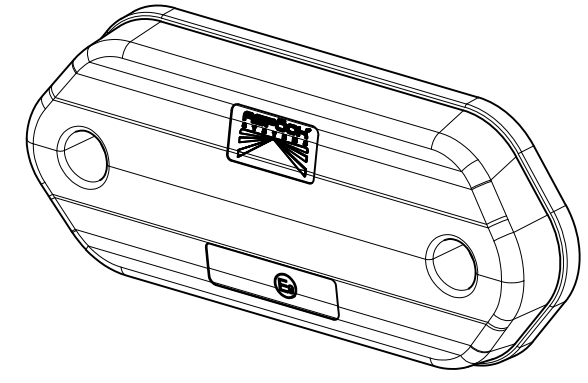
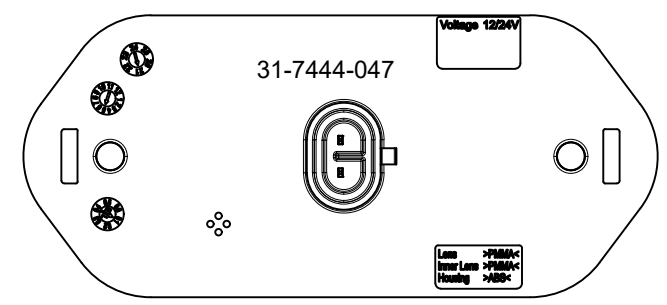
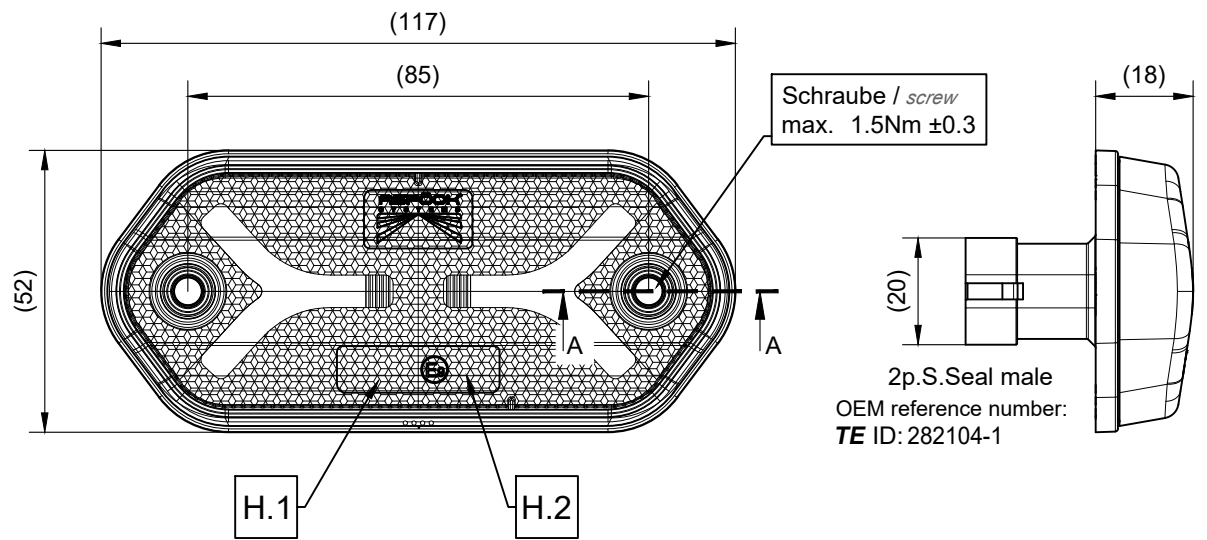
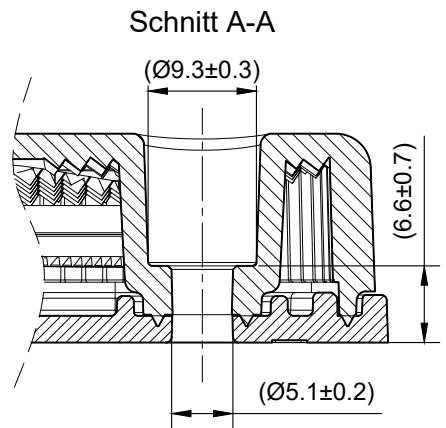


Level	Zone	ECI N°.	Revision note	Date	Designed	Checked
R02	02	19924	Titel geändert title changed	2023/07/11	Leiding. S	Lenzen. S



CONNECTOR:	
function	pin
Masse GND	1
+VDC	2

Electrical Specification				
Funktion Function	Nennspannung Nominal Voltage	Spannungsbereich Voltage Range	Nennstrom Nominal Current	Nennleistung Nominal Power
Volt (V)	Volt (V)	Volt (V)	Ampere (A)	Watt (W)
Flatpoint IV - red	12V / 24V	10V - 30V	0.05A / 0.06A	0.63W / 1.37W

Homologation description				
H.1	E9	148R	R1	
	6063	00		
H.2	E9	158R	IB	
	1071	00		
H.2	E9	10R		
	23196	06		



CP_03-0_Bemaßungsrichtlinie () Auxiliary dimension DIN 406-10	Theoretical dimension ISO 1101	
Test dimension (SPC)	Unfinished dimension DIN 406-10	
Surface quality ISO 1302		
Designed by Leidinger Sabine 2023/04/18	Checked by Strubreiter Daniel 2023/04/20	Approved by Hinterberger Michael 2023/04/20
	Designation Flatpoint IV AMP Ss RED 02	Project number -
	Drawing Nr. 31744404	Tolerance CP_04-2_Toleranzen Verkabelungsprodukte
	Business Unit SALES - 24	Weight - Scale not in scale
Part Number 31-7444-047	Dimensions in mm	Level R02 Sheet 1 / 1