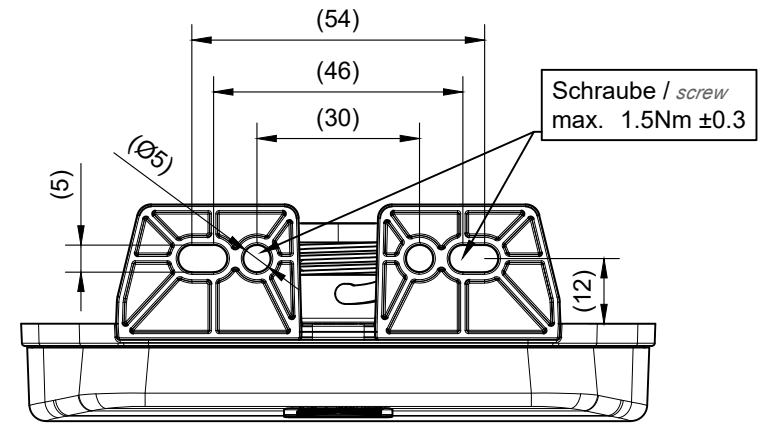
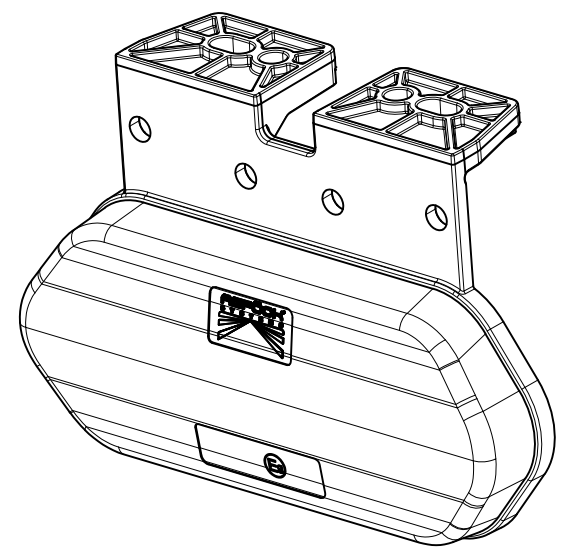
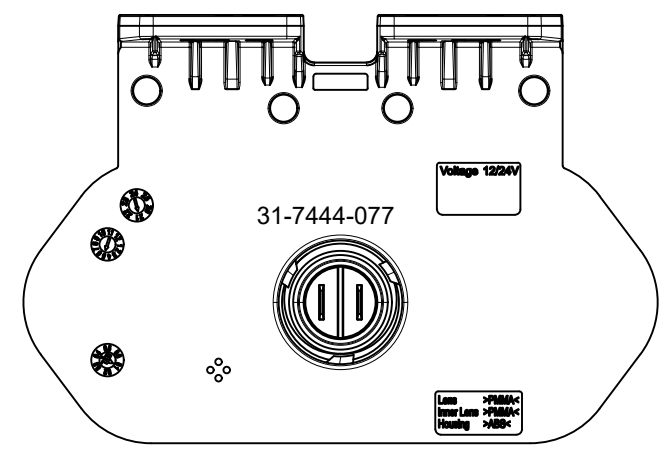
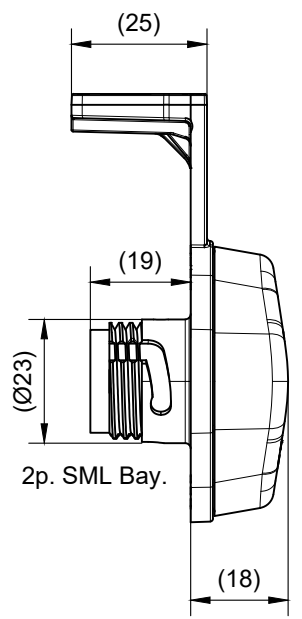
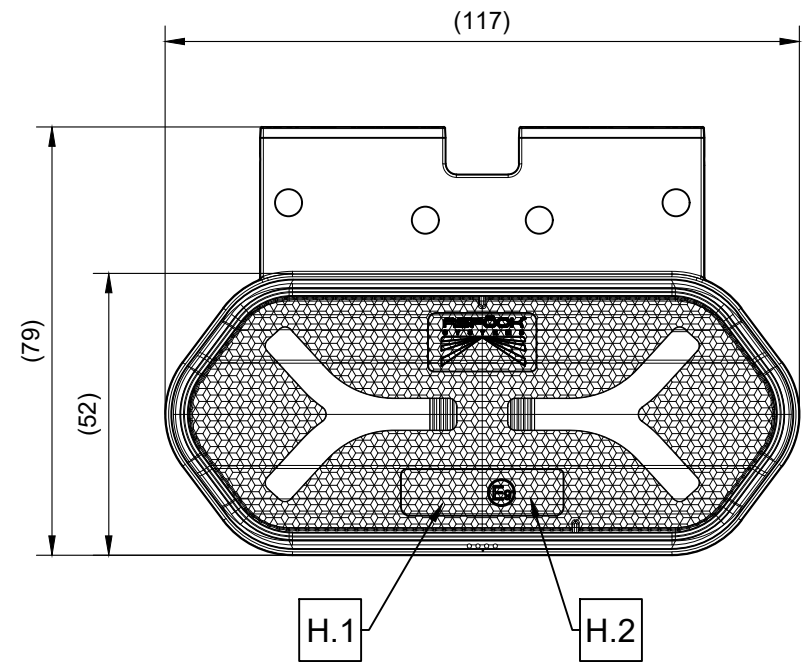


Level	Zone	ECI N°.	Revision note	Date	Designed	Checked
R02	02	19924	Titel geändert title changed	2023/07/11	Leiding. S	Lenzen. S



CONNECTOR:	
function	pin
Masse GND	1
+VDC +VDC	2

Electrical Specification				
Funktion Function	Nennspannung Nominal Voltage	Spannungsbereich Voltage Range	Nennstrom Nominal Current	Nennleistung Nominal Power
Volt (V)	Volt (V)	Volt (V)	Ampere (A)	Watt (W)
Flatpoint IV - amber	12V / 24V	10V - 30V	0.04A / 0.05A	0.53W / 1.27W

Homologation description				
H.1	E9 6062	148R 00	SM1	
	E9 1071	158R 00	IB	
H.2	E9 23196	10R 06		



CP_03-0_Bemaßungsrichtlinie () Auxiliary dimension DIN 406-10	<input type="checkbox"/> Theoretical dimension ISO 1101		
<input type="checkbox"/> Test dimension (SPC)	<input type="checkbox"/> Unfinished dimension DIN 406-10		
<input type="checkbox"/> Surface quality ISO 1302			
Designed by Leidinger Sabine 2023/04/18	Checked by Strubreiter Daniel 2023/04/20	Approved by Hinterberger Michael 2023/04/20	
Designation Flatpoint IV Bay. Bracket 90°Back SML 02			
Drawing Nr. 31744407		Tolerance CP_04-2_Toleranzen Verkabelungsprodukte	
Business Unit SALES - 24		Weight -	Scale not in scale
Dimensions in mm		Level R02	Sheet 1 / 1