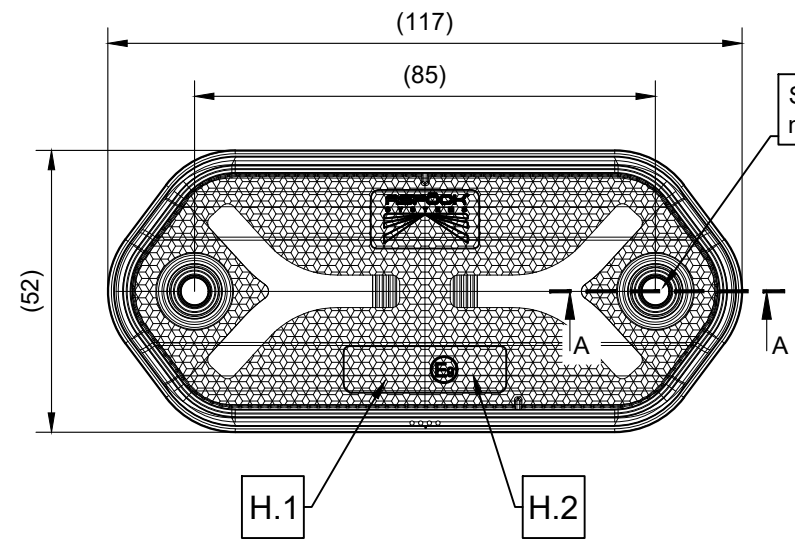
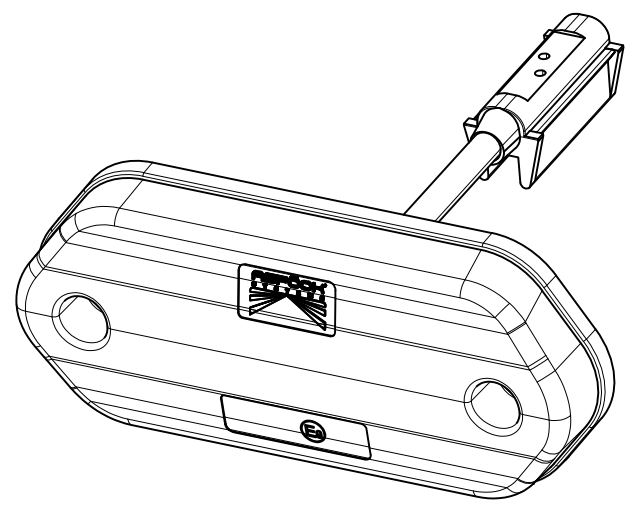
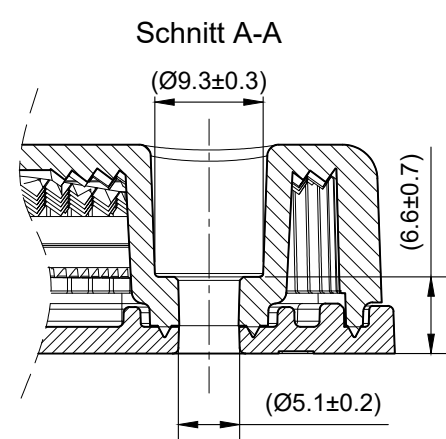
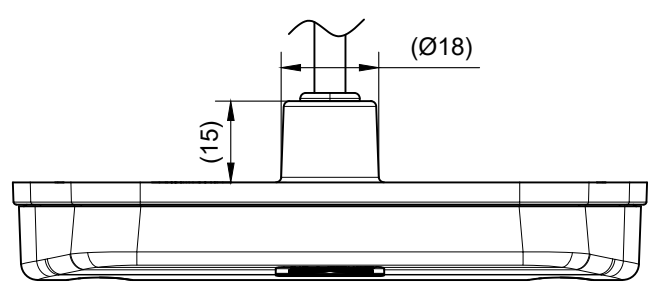
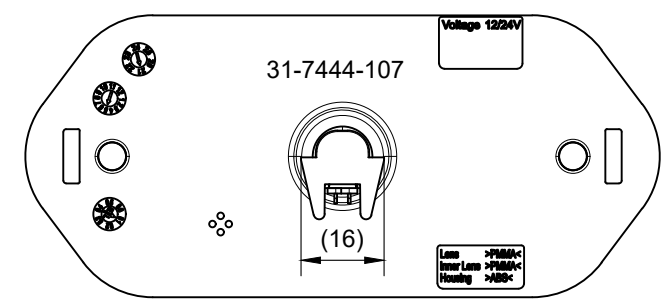
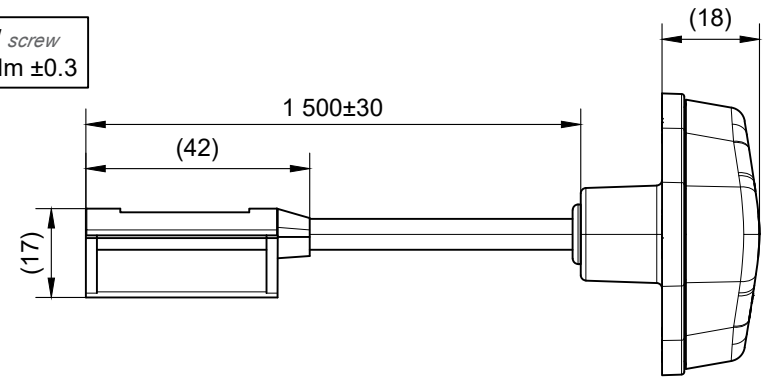


Level	Zone	ECI N°.	Revision note	Date	Designed	Checked
R02	02	19924	Titel geändert title changed	2023/07/11	Leiding. S	Lenzen. S



Schraube / screw
max. 1.5Nm ±0.3



CONNECTOR:	
function	pin
Masse GND	1
+VDC +VDC	2

Electrical Specification				
Funktion Function	Nennspannung Nominal Voltage	Spannungsbereich Voltage Range	Nennstrom Nominal Current	Nennleistung Nominal Power
Volt (V)	Volt (V)	Volt (V)	Ampere (A)	Watt (W)
Flatpoint IV - amber	12V / 24V	10V - 30V	0.04A / 0.05A	0.53W / 1.27W

Homologation description				
H.1	E9	148R	SM1	
	6062	00		
H.2	E9	158R	IB	
	1071	00		
H.2	E9	10R		
	23196	06		



CP_03-0_Bemaßungsrichtlinie () Auxiliary dimension DIN 406-10 Theoretical dimension ISO 1101
 Test dimension (SPC) [] Unfinished dimension DIN 406-10 Surface quality ISO 1302

Designed by Leiding Sabine 2023/04/19 Checked by Strubreiter Daniel 2023/04/20 Approved by Hinterberger Michael 2023/04/20

ASPOCK SYSTEMS Designation Flatpoint IV 1.5m P&R SML 02

Drawing Nr. 31744410 Tolerance CP_04-2_Toleranzen Verkabelungsprodukte Weight - Scale not in scale

Business Unit SALES - 24 Level R02 Sheet 1 / 1

Part Number 31-7444-107 Dimensions in mm Transmittal, reproduction, dissemination and/or editing of this document as well as utilization of its contents and communication there of to others without express authorization are prohibited. Offenders will be held liable for payment of damages. All rights created by patent grant or registration of a utility model or design patent are reserved.