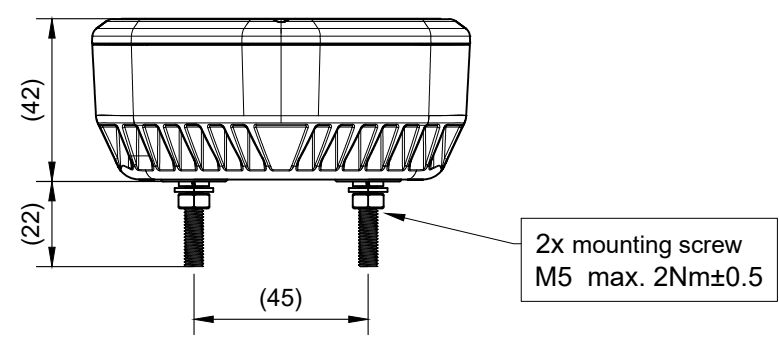
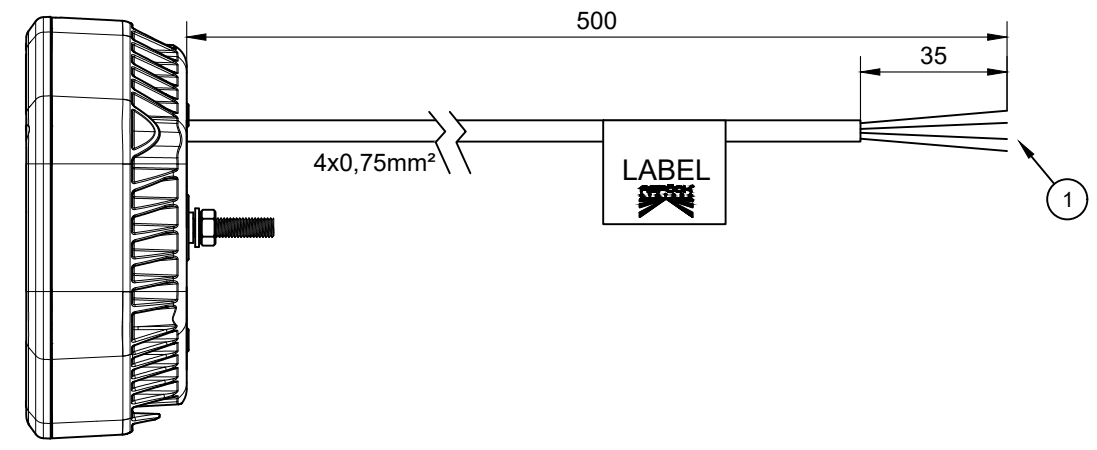
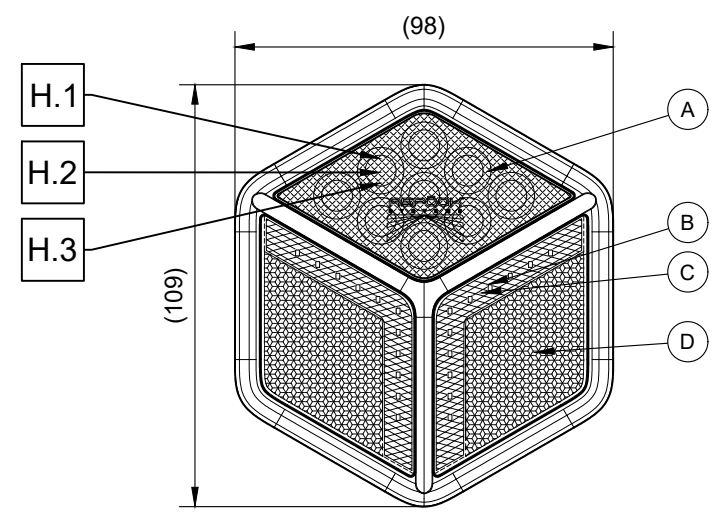


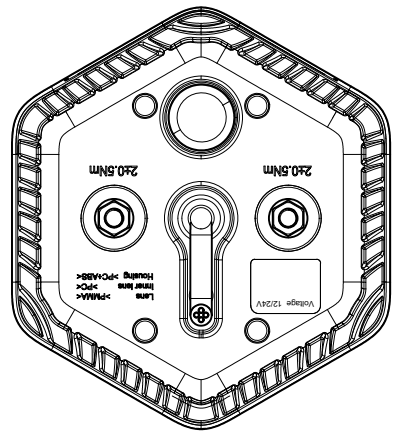
Level	Zone	ECI N°.	Revision note	Date	Designed	Checked



CONNECTOR:	①
function	wire colour
Blinker <i>DI LED</i>	gelb <i>yellow</i>
Masse <i>GND</i>	weiss <i>white</i>
Rücklicht <i>Tail</i>	schwarz <i>black</i>
Bremse <i>Stop</i>	rot <i>red</i>

FUNCTION:	
Blinker LED <i>DI LED</i>	A
Bremse LED <i>Stop LED</i>	B
Rücklicht LED <i>Tail LED</i>	C
Reflektierende Fläche <i>Reflex reflector</i>	D

Electrical Specification				
Funktion <i>Function</i>	Nennspannung <i>Nominal Voltage</i>	Spannungsbereich <i>Voltage Range</i>	Nennstrom <i>Nominal Current</i>	Nennleistung <i>Nominal Power</i>
Volt (V)	Volt (V)	Volt (V)	Ampere (A)	Watt (W)
Stop	12V / 24V	10V - 30V	0.26A / 0.15A	3.1W / 3.5W
Tail	12V / 24V	10V - 30V	0.23A / 0.13A	2.7W / 3.0W
DI	12V / 24V	10V - 30V	0.05A / 0.05A	0.6W / 1.1W



* gilt nur für Leuchteneinheit
only applies to lighting unit

Homologation description					
H.1	E9 6054	148R 00	R1	S1	2a
H.2	E9 IB	150R 00			
H.3	E9 23195	10R 06			

CP_03-0_Bemaßungsrichtlinie () Auxiliary dimension DIN 406-10 Theoretical dimension ISO 1101
 ○ Test dimension (SPC) [] Unfinished dimension DIN 406-10 Surface quality ISO 1302

Designed by: Leidinger Sabine 2022/06/27
 Checked by: Strubreiter Daniel 2022/06/28
 Approved by: Hinterberger Michael 2022/07/05

DRAFT

Part Number: 33-7234-047
 Designation: Miniled III dualv. cable EMC DI-DI
 Drawing Nr.: 33723404
 Business Unit: SALES - 24

Dimensions in mm

Transmittal, reproduction, dissemination and/or editing of this document as well as utilization of its contents and communication thereof to others without express authorization are prohibited. Offenders will be held liable for payment of damages. All rights created by patent grant or registration of a utility model or design patent are reserved.

Project number	-
Weight	-
Scale	not in scale
Level	R01
Sheet	1 / 1

IP69K*