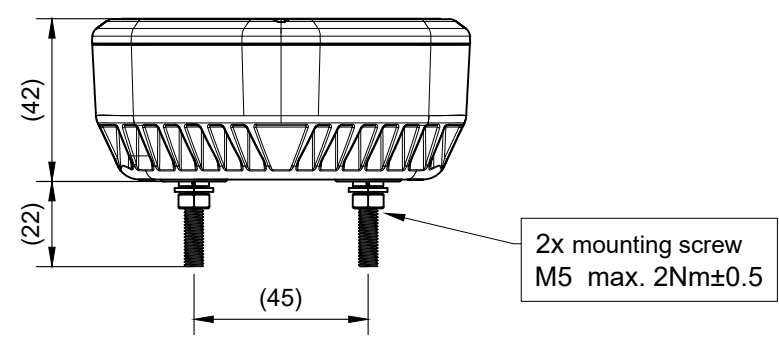
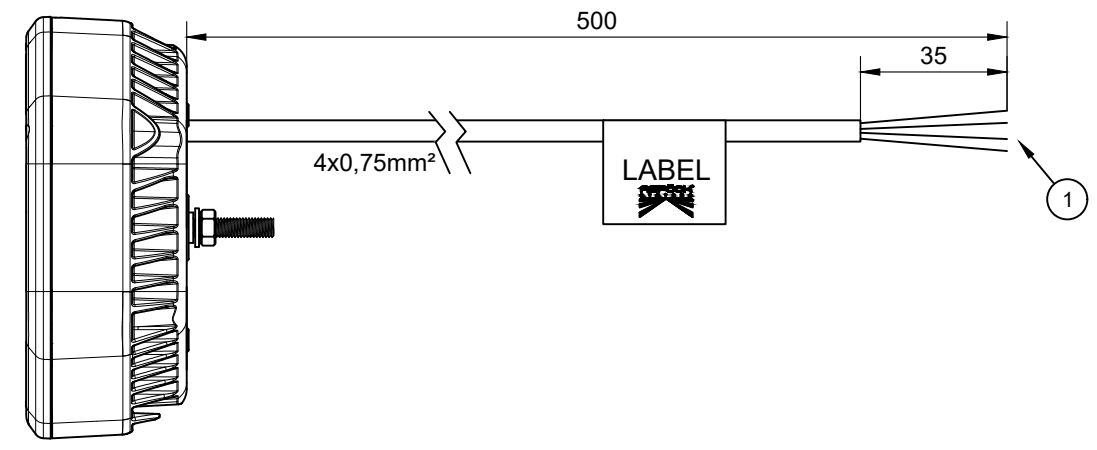
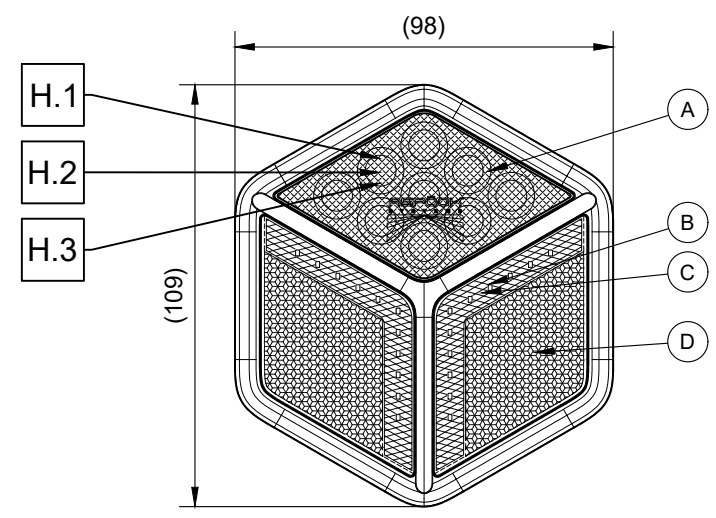


Level	Zone	ECI N°.	Revision note	Date	Designed	Checked

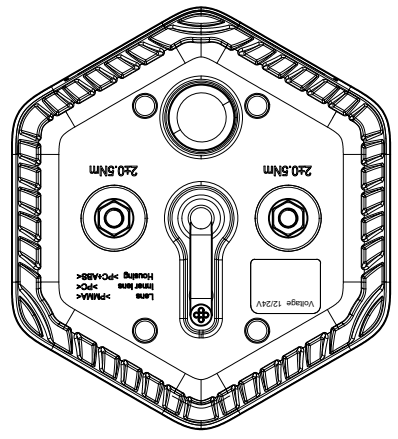


2x mounting screw  
M5 max. 2Nm±0.5

CONNECTOR:	①
function	wire colour
Blinker <i>DI</i>	gelb <i>yellow</i>
Masse <i>GND</i>	weiss <i>white</i>
Rücklicht <i>Tail</i>	schwarz <i>black</i>
Bremse <i>Stop</i>	rot <i>red</i>

FUNCTION:	
Blinker LED <i>DI LED</i>	A
Bremse LED <i>Stop LED</i>	B
Rücklicht LED <i>Tail LED</i>	C
Reflektierende Fläche <i>Reflex reflector</i>	D

Electrical Specification				
Funktion <i>Function</i>	Nennspannung <i>Nominal Voltage</i>	Spannungsbereich <i>Voltage Range</i>	Nennstrom <i>Nominal Current</i>	Nennleistung <i>Nominal Power</i>
Volt (V)	Volt (V)	Volt (V)	Ampere (A)	Watt (W)
Stop	12V / 24V	10V - 30V	0.27A / 0.15A	3.2W / 3.7W
Tail	12V / 24V	10V - 30V	0.23A / 0.14A	2.7W / 3.3W
DI	12V / 24V	10V - 30V	0.05A / 0.05A	0.6W / 1.1W



\* gilt nur für Leuchteneinheit  
*only applies to lighting unit*

Homologation description					
H.1	E9 6054	148R 00	R1	S1	2a
H.2	E9 IB	150R 00			
H.3	E9 23195	10R 06			

CP\_03-0\_Bemaßungsrichtlinie ( ) Auxiliary dimension DIN 406-10  Theoretical dimension ISO 1101  
 ○ Test dimension (SPC) [ ] Unfinished dimension DIN 406-10  Surface quality ISO 1302

Designed by Leidinger Sabine 2022/06/27 Checked by Strubreiber Daniel 2022/06/28 Approved by Hinterberger Michael 2022/07/05

**DRAFT**

33-7234-057 Part Number

ASPOCK SYSTEMS

Designation: Miniled III dualvoltage cable  
 Drawing Nr. 33723405  
 Business Unit SALES - 24

Dimensions in mm

Transmittal, reproduction, dissemination and/or editing of this document as well as utilization of its contents and communication thereof to others without express authorization are prohibited. Offenders will be held liable for payment of damages. All rights created by patent grant or registration of a utility model or design patent are reserved.

Project number: -  
 Weight: -  
 Scale: not in scale  
 Level: R01  
 Sheet: 1 / 1

Tolerance: CP\_04-2\_Toleranzen Verkabelungsprodukte

IP69K\*