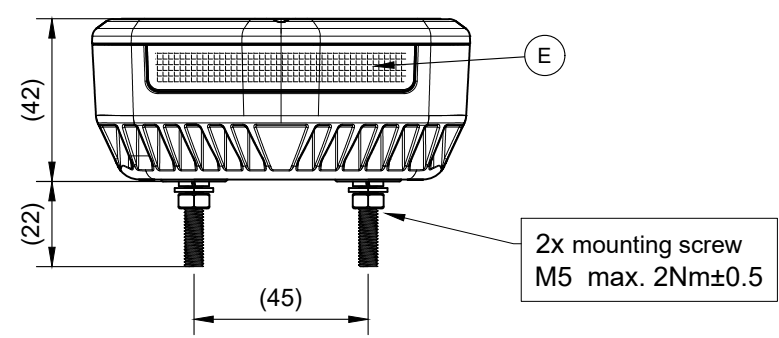
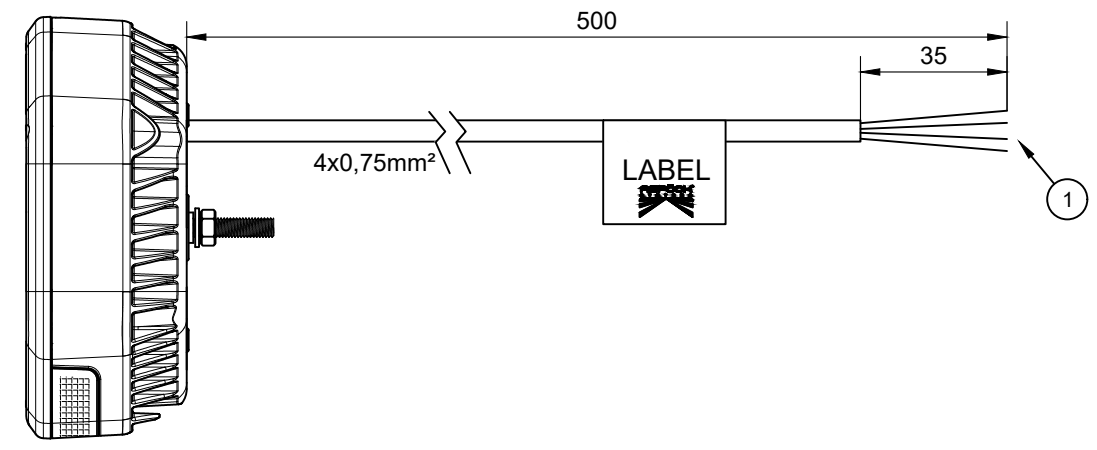
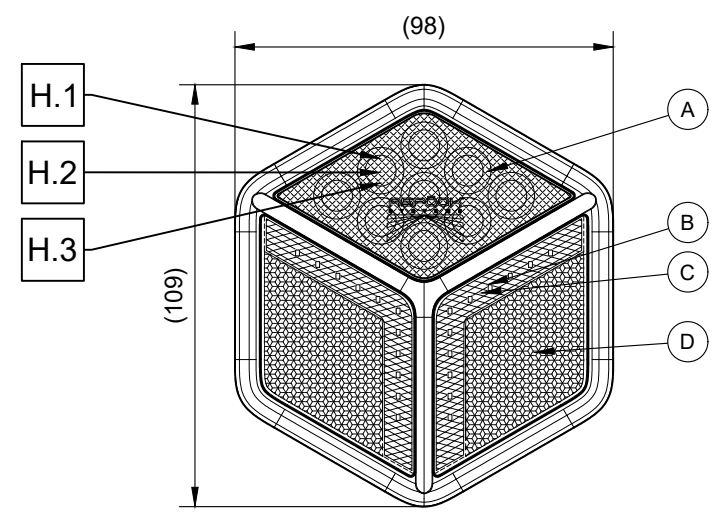
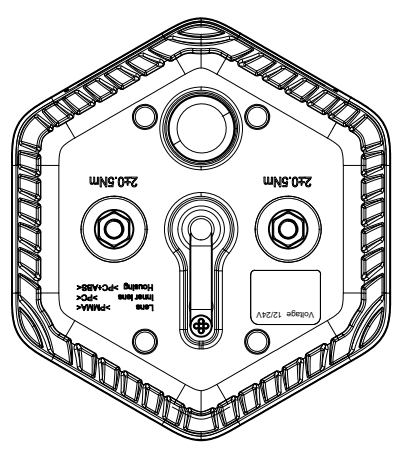


Level	Zone	ECI N°.	Revision note	Date	Designed	Checked



CONNECTOR:	①
function	wire colour
Blinker <i>DI LED</i>	gelb <i>yellow</i>
Masse <i>GND</i>	weiss <i>white</i>
Rücklicht <i>Tail</i>	schwarz <i>black</i>
Bremse <i>Stop</i>	rot <i>red</i>



FUNCTION:	
Blinker LED <i>DI LED</i>	A
Bremse LED <i>Stop LED</i>	B
Rücklicht LED <i>Tail LED</i>	C
Reflektierende Fläche <i>Reflex reflector</i>	D
Kennzeichenlicht <i>license plate function</i>	E

Electrical Specification				
Funktion <i>Function</i>	Nennspannung <i>Nominal Voltage</i>	Spannungsbereich <i>Voltage Range</i>	Nennstrom <i>Nominal Current</i>	Nennleistung <i>Nominal Power</i>
Volt (V)	Volt (V)	Volt (V)	Ampere (A)	Watt (W)
Stop	12V / 24V	10V - 30V	0.27A / 0.15A	3.2W / 3.7W
Tail	12V / 24V	10V - 30V	0.23A / 0.14A	2.7W / 3.3W
DI	12V / 24V	10V - 30V	0.05A / 0.05A	0.6W / 1.1W
License plate light	12V / 24V	10V - 30V	0.11A / 0.07A	1.3W / 1.6W

* gilt nur für Leuchteneinheit
only applies to lighting unit

Homologation description					
H.1	E9 6054	148R 00	R1	S1	2a
H.2	E9 IB	150R 00			
H.3	E9 23195	10R 06			

CP_03-0_Bemaßungsrichtlinie ()	Auxiliary dimension DIN 406-10	Theoretical dimension ISO 1101
Test dimension (SPC)	Unfinished dimension DIN 406-10	Surface quality ISO 1302
Designed by Leidinger Sabine 2022/06/27	Checked by Strubreiter Daniel 2022/06/28	Approved by Hinterberger Michael 2022/07/05
		DRAFT
Designation Miniled III dualvoltage LPL cable		Project number -
Drawing Nr. 33723406 Business Unit SALES - 24		Tolerance CP_04-2_Toleranzen Verkabelungsprodukte
Part Number 33-7234-067		Weight - Scale not in scale
Dimensions in mm		Level R01 Sheet 1 / 1

IP69K*