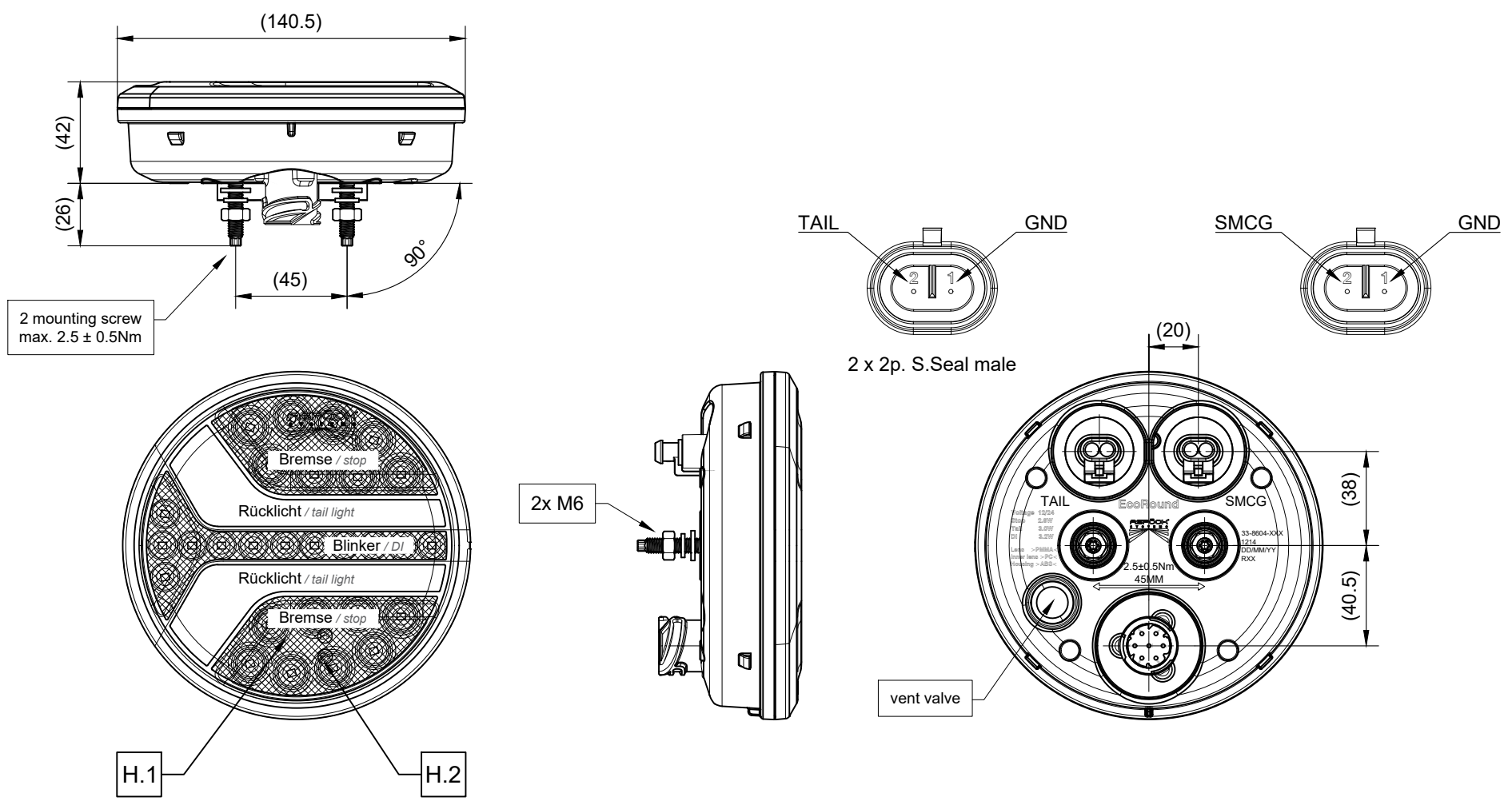
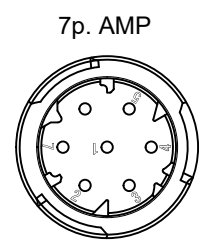


Level	Zone	ECI N°.	Revision note	Date	Designed	Checked



H.1 H.2

7p. AMP	
FUNCTION	PIN
Masse GND	1
Rücklicht Tail	2
-	-
Blinker DI	4
Bremse Stop	5
-	-
-	-



Electrical Specification				
Funktion Function	Nennspannung Nominal Voltage	Spannungsbereich Voltage Range	Nennstrom Nominal Current	Nennleistung Nominal Power
Volt (V)	Volt (V)	Volt (V)	Ampere (A)	Watt (W)
DI	12V / 24V	9V - 33V	0.27 / 0.13A	3.2W
Stop	12V / 24V	9V - 33V	0.22 / 0.11A	2.6W
Tail	12V / 24V	9V - 33V	0.25 / 0.13A	3.0W

Homologation description					
H.1	E9 16039	148R 00	R1	S1	2a
	E9 16040	148R 00	R1D	S1D	2aD
	E9 16041	148R 00	R1Y	S1Y	2aY
H.4	E9 23890	10R 06			

CP_03-0_Bemaßungsrichtlinie () Auxiliary dimension DIN 406-10 Theoretical dimension ISO 1101
 ○ Test dimension (SPC) [] Unfinished dimension DIN 406-10 Surface quality ISO 1302

Designed by: Hager Cornelia 2024/02/08
 Checked by: Wetzlmaier Gerlinde 2024/02/08
 Approved by: Hinterberger, Michael 2024/02/12

ASPÖCK SYSTEMS Designation: EcoRound 3F 24VISO 7pAMP+2pSS SMCG+TAIL
 Drawing Nr. 33860404
 Business Unit SALES - 24

Part Number: 33-8604-047

Dimensions in mm

Transmittal, reproduction, dissemination and/or editing of this document as well as utilization of its contents and communication thereof to others without express authorization are prohibited. Offenders will be held liable for payment of damages. All rights created by patent grant or registration of a utility model or design patent are reserved.

Project number: -
 Weight: -
 Scale: not in scale
 Level: R01
 Sheet: 1 / 1