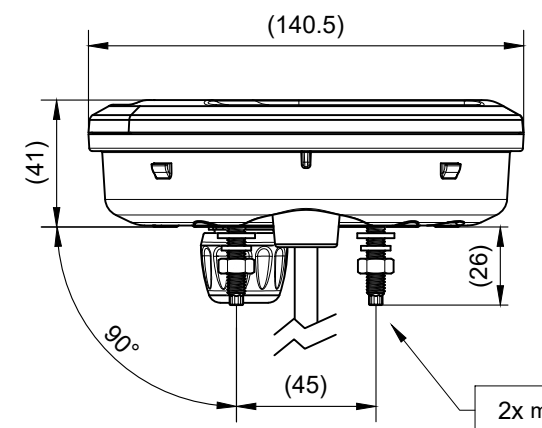
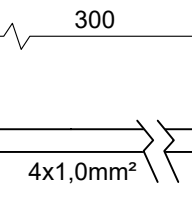
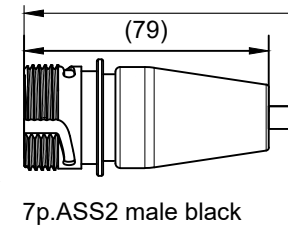
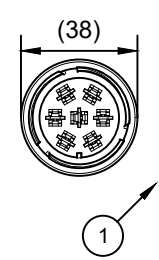
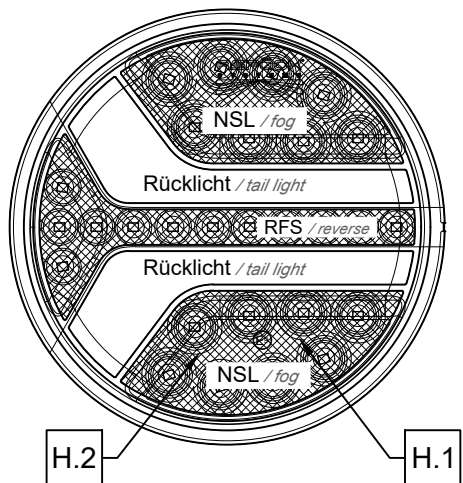


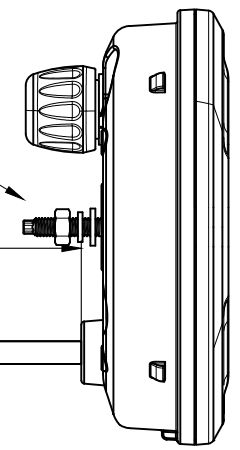
Level	Zone	ECI N°.	Revision note	Date	Designed	Checked



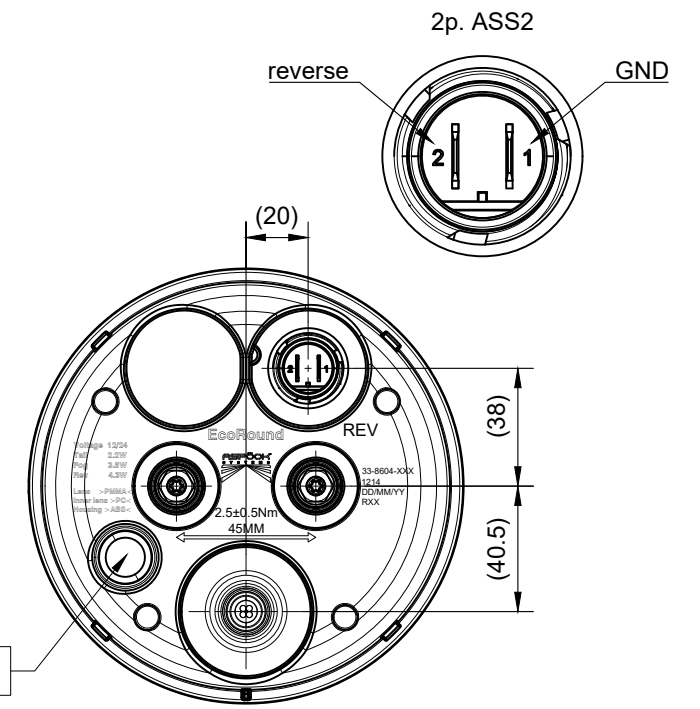
2x mounting screw
max. 2.5 ± 0.5Nm



2x M6



vent valve



CONNECTOR:		①
function	pin	wire colour
Masse GND	1	violett violet
-	2	-
-	3	-
-	4	-
Rückfahr. Reverse	5	grau grey
Rücklicht Tail	6	rosa pink
Nebelschl. Fog	7	blau blue

Electrical Specification				
Funktion Function	Nennspannung Nominal Voltage	Spannungsbereich Voltage Range	Nennstrom Nominal Current	Nennleistung Nominal Power
Volt (V)	Volt (V)	Volt (V)	Ampere (A)	Watt (W)
Tail	12V / 24V	9V - 33V	0.18 / 0.09A	2.2W
Fog	12V / 24V	9V - 33V	0.29 / 0.15A	3.5W
Reverse	12V / 24V	9V - 33V	0.36 / 0.18A	4.3W

Homologation description					
H.1	E9 16042	148R 00	R1	F1	AR
H.2	E9 23891	10R 06			

CP_03-0_Bemaßungsrichtlinie () Auxiliary dimension DIN 406-10 Theoretical dimension ISO 1101
 ○ Test dimension (SPC) [] Unfinished dimension DIN 406-10 √ Surface quality ISO 1302

Designed by Hager Cornelia 2024/02/09 Checked by Wetzlmaier Gerlinde 2024/02/12 Approved by Hinterberger Michael 2024/02/12

ASPÖCK SYSTEMS Designation EcoRound TRF 7pASS+2pASS2 Rev
 Drawing Nr. 33860407
 Business Unit SALES - 24

Part Number 33-8604-077

Dimensions in mm

Transmittal, reproduction, dissemination and/or editing of this document as well as utilization of its contents and communication thereof to others without express authorization are prohibited. Offenders will be held liable for payment of damages. All rights created by patent grant or registration of a utility model or design patent are reserved.

Project number -
 Tolerance CP_04-2_Toleranzen Verkabelungsprodukte
 Weight - Scale not in scale
 Level R01 Sheet 1 / 1