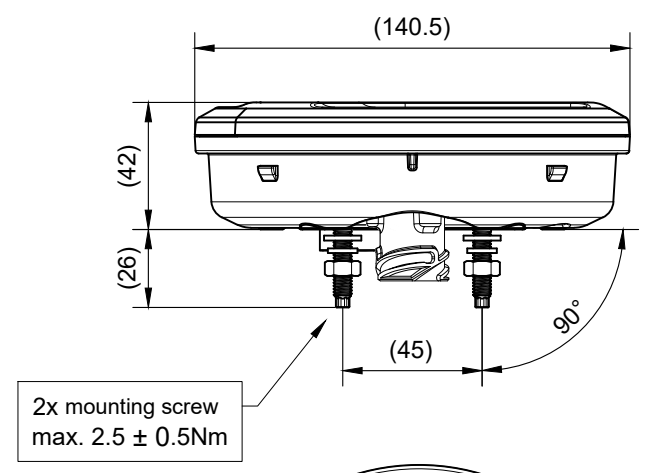
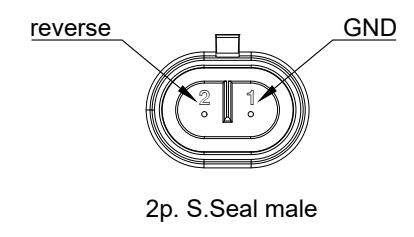
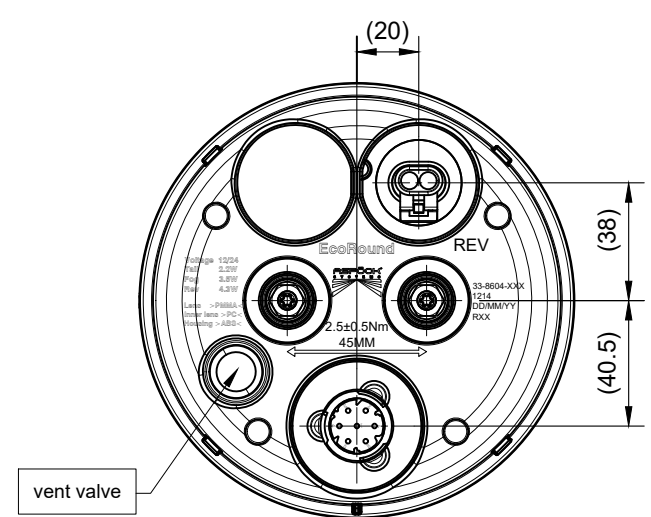
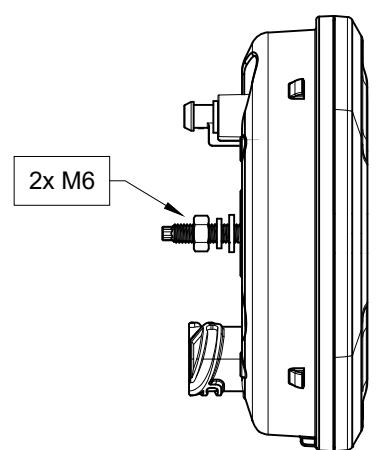
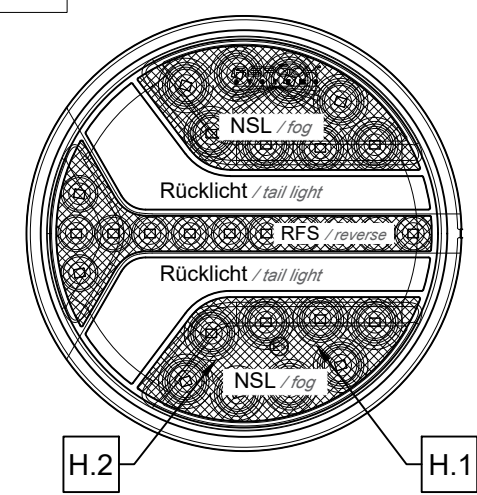


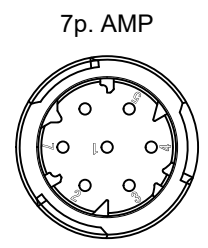
Level	Zone	ECI N°.	Revision note	Date	Designed	Checked



2x mounting screw
max. 2.5 ± 0.5Nm



7p. AMP	
FUNCTION	PIN
Masse GND	1
Rücklicht Tail	2
Rückfahr. Reverse	3
-	-
-	-
Nebelschl. Fog	6
-	-



Electrical Specification				
Funktion Function	Nennspannung Nominal Voltage	Spannungsbereich Voltage Range	Nennstrom Nominal Current	Nennleistung Nominal Power
Volt (V)	Volt (V)	Volt (V)	Ampere (A)	Watt (W)
Tail	12V / 24V	9V - 33V	0.18 / 0.09A	2.2W
Fog	12V / 24V	9V - 33V	0.29 / 0.15A	3.5W
Reverse	12V / 24V	9V - 33V	0.36 / 0.18A	4.3W

Homologation description					
H.1	E9 16042	148R 00	R1	F1	AR
H.2	E9 23891	10R 06			

CP_03-0_Bemaßungsrichtlinie () Auxiliary dimension DIN 406-10 [] Theoretical dimension ISO 1101
 [] Test dimension (SPC) [] Unfinished dimension DIN 406-10 [] Surface quality ISO 1302

Designed by: Hager Cornelia 2024/02/09 Checked by: Wetzlmaier Gerlinde 2024/02/12 Approved by: Hinterberger Michael 2024/02/12

ASPÖCK SYSTEMS Designation: EcoRound TRF 7pAMP+2pSS Rev Project number: -

Drawing Nr. 33860408 Tolerance: CP_04-2_Toleranzen Verkabelungsprodukte Weight: - Scale: not in scale

Business Unit SALES - 24 Level: R01 Sheet: 1 / 1

Part Number: 33-8604-087 Dimensions in mm

Transmittal, reproduction, dissemination and/or editing of this document as well as utilization of its contents and communication thereof to others without express authorization are prohibited. Offenders will be held liable for payment of damages. All rights created by patent grant or registration of a utility model or design patent are reserved.