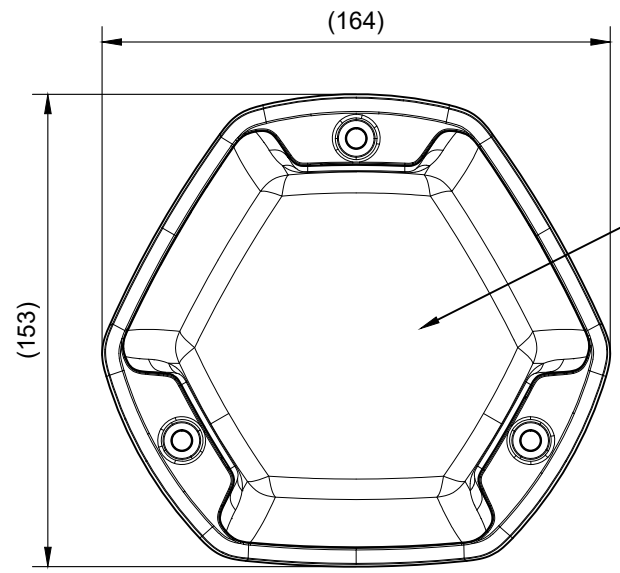
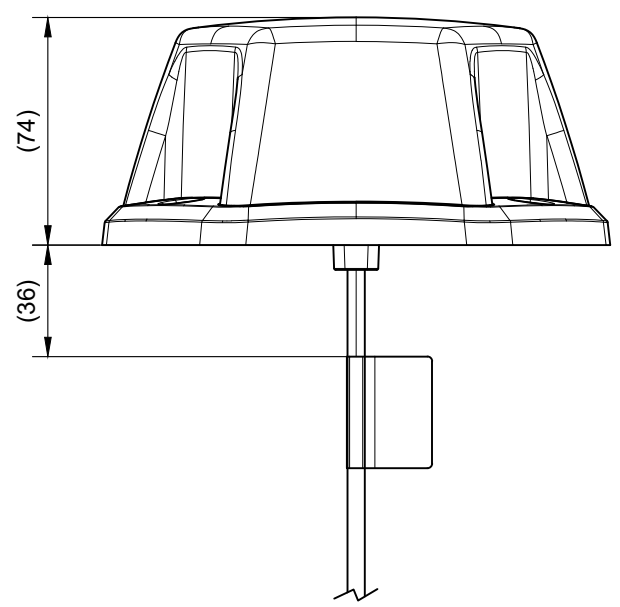
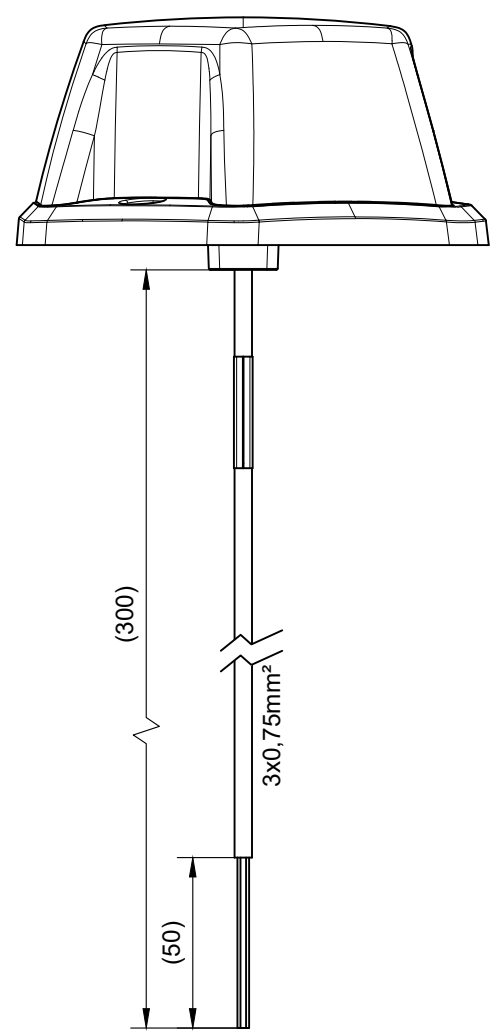
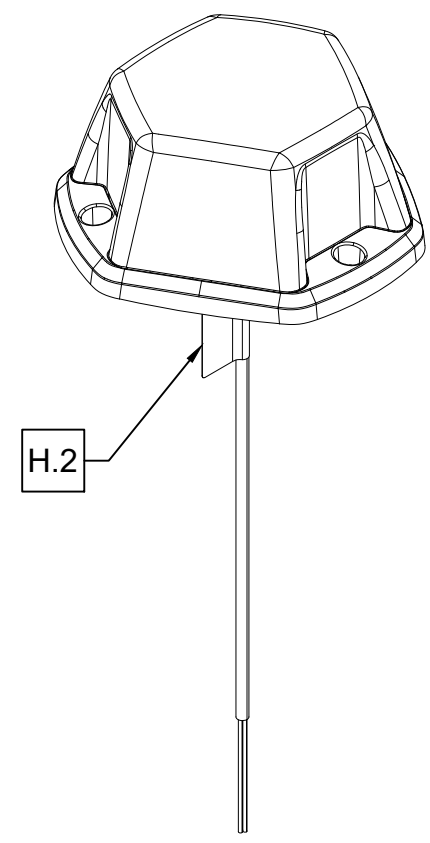


Level	Zone	ECI N°.	Revision note	Date	Designed	Checked
R02	02	20531	Ansicht richtiggestellt Halterung entfernt view corrected bracket removed	2023/10/05	Hager C	Dunzing.J



CONNECTOR:	
function	wire colour
Masse GND	weiss white
+VDC +VDC	braun brown
Blinkmuster auswahl pattern selection	blau blue

Lichtmuster:
Flash Pattern:
Zweifachblitz (R65) double flash (R65)
Einfachblitz (R65) single flash (R65)
rotierend (R65) rotation (R65)



Electrical Specification				
Funktion Function	Nennspannung Nominal Voltage	Spannungsbereich Voltage Range	Nennstrom Nominal Current	Nennleistung Nominal Power
Volt (V)	Volt (V)	Volt (V)	Ampere (A)	Watt (W)
FlashLED Beacon	12V / 24V	10V - 30V	2A / 1A	24W

Homologation description				
H.1	E9 6521	TA1 00		
SAE W3-1 21				
H.2	E24 3220	10R 06		

CP\_03-0\_Bemaßungsrichtlinie ( ) Auxiliary dimension DIN 406-10     Theoretical dimension ISO 1101  
 Test dimension (SPC)    [ ] Unfinished dimension DIN 406-10     Surface quality ISO 1302

**Designed by** Leidinger Sabine    2022/11/24    **Checked by** Strubreiter Daniel    2022/11/25    **Approved by** Schamberger Stefan    2022/11/25

**Designation** FlashLED DF/SF/R ECE+SAE    **Project number** 1179

**Drawing Nr.** 39902403    **Tolerance** CP\_04-2\_Toleranzen Verkabelungsprodukte    **Weight** -    **Scale** not in scale

**Business Unit** SALES - 12    **Level** R02    **Sheet** 1 / 1

Part Number 39-9024-037

Dimensions in mm

Transmittal, reproduction, dissemination and/or editing of this document as well as utilization of its contents and communication thereof to others without express authorization are prohibited. Offenders will be held liable for payment of damages. All rights created by patent grant or registration of a utility model or design patent are reserved.