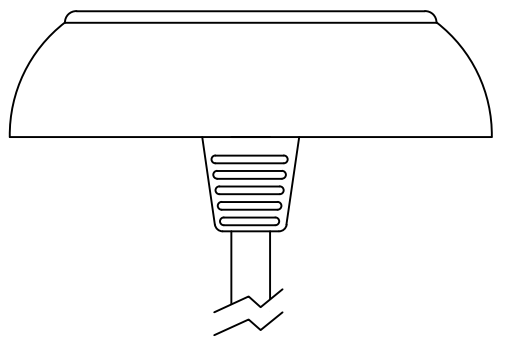
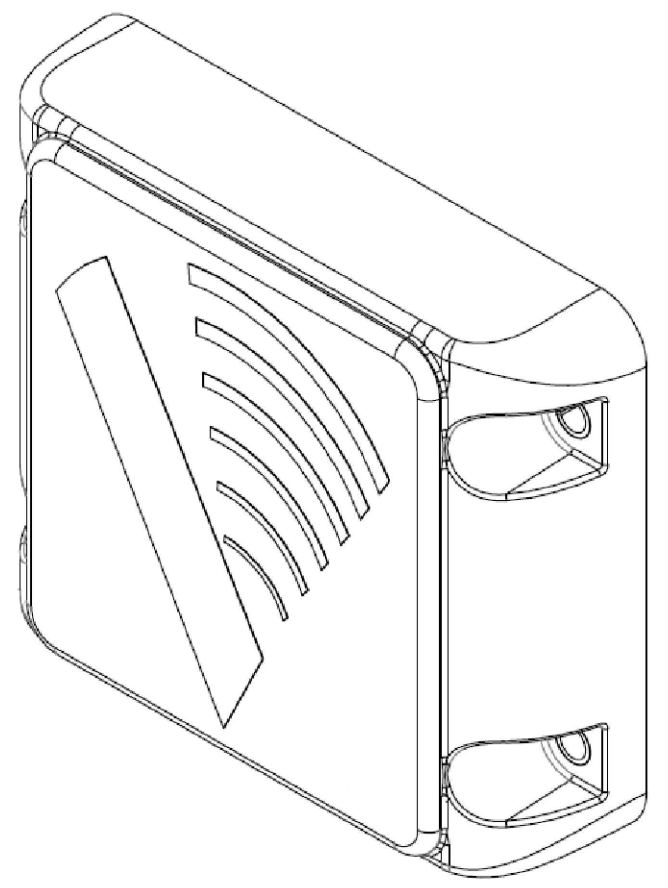
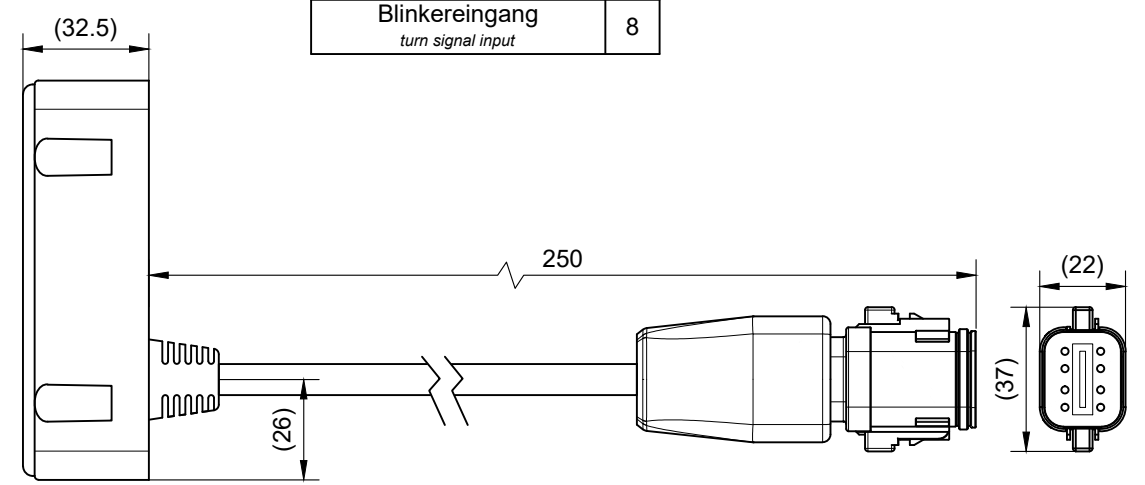
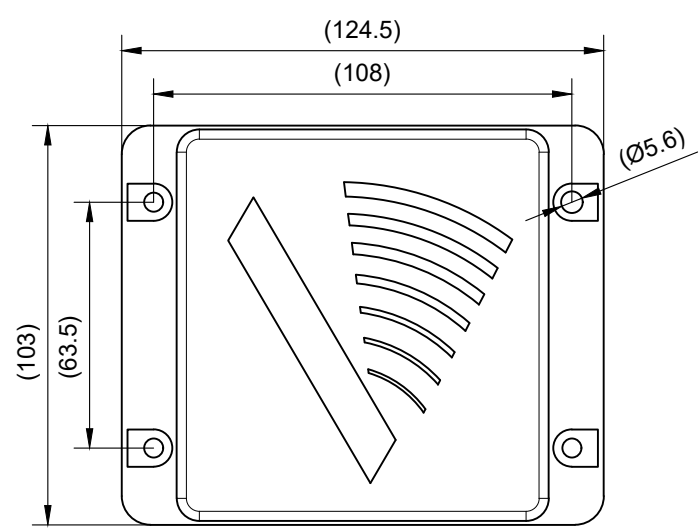


Level	Zone	ECI N°.	Revision note	Date	Designed	Checked

CONNECTOR:	
function	pin
Battery PWR Input (+)	1
Masse GND	2
CAN HIGH	3
CAN LOW	4
Display PWR Output (+)	5
Display GND	6
Alarm OUT	7
Blinkereingang turn signal input	8



CP_03-0_Bemaßungsrichtlinie	( )	Auxiliary dimension DIN 406-10		Theoretical dimension ISO 1101
	[ ]	Unfinished dimension DIN 406-10		Surface quality ISO 1302
<b>Designed by</b>	<b>Checked by</b>	<b>Approved by</b>		<b>DRAFT</b>
Leidinger Sabine	2022/05/30	Strubreiter Daniel	2022/05/..	
75-0213-047	<b>Designation</b>			<b>Project number</b>
	RADC Sensor - Standard W2,4m - L3,0m			-
	<b>Drawing Nr.</b> 75021304		<b>Tolerance</b>	<b>Weight</b>
<b>Business Unit</b> SALES - 24		CP_04-2_Toleranzen	-	<b>Scale</b>
<b>Dimensions</b> in mm		Transmittal, reproduction, dissemination and/or editing of this document as well as utilization of its contents and communication there of to others without express authorization are prohibited. Offenders will be held liable for payment of damages. All rights created by patent grant or registration of a utility model or design patent are reserved.		<b>Level</b>
Part Number		S01		<b>Sheet</b>
		1 / 1		