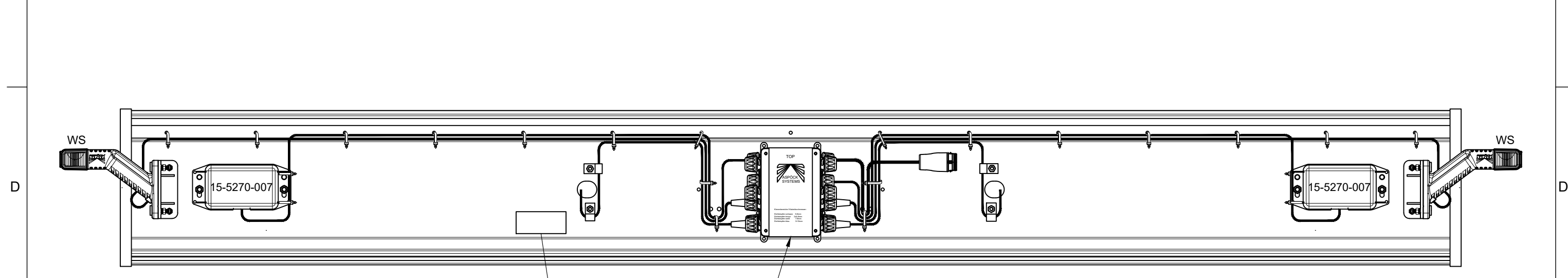
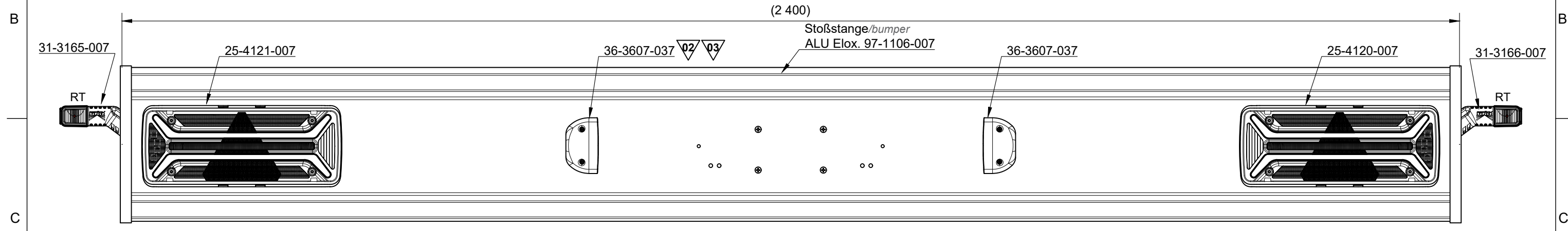
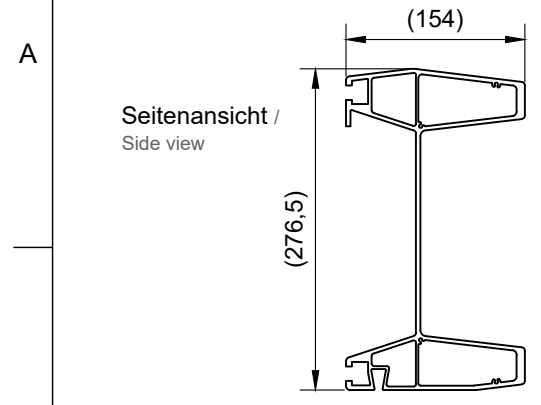


Level	Zone	ECI N°.	Revision note	Date	Designed	Checked
R02	02	16678	KZ Leu."Aspöck" PGV durch KZ Leu.Regpoint LED 1m ASS2 ersetzt KZ light "Aspöck" PGV replaced by KZ Leu.Regpoint LED 1m ASS2	2022/10/25	Hager C	Lenzenw.S
R03	03	17371	war 2x 36-3607-017 was 2x 36-3607-017	2023/01/20	Leiding. S	Lenzen. S



TYPENSCHILD 10-0211-057 ankleben
ASPÖCK SYSTEMS GmbH
 E24 58 R - 030124

Zubehör / accessories:		
1 Stk. 1 pcs.	15-5272-007	Seitenabdeckung f. ufs LH sidecover f. UFS LH
1 Stk. 1 pcs.	15-5272-017	Seitenabdeckung f. ufs RH sidecover f. UFS RH
1 Stk. 1 pcs.	14-1964-007	Schrauben für Endkappen screws for end caps

Homologation description			
H.1	E24 0124	58R 03	

CP_03-0_Bemaßungsrichtlinie ()	Auxiliary dimension DIN 406-10		Theoretical dimension ISO 1101
	Test dimension (SPC)		Unfinished dimension DIN 406-10
			Surface quality ISO 1302
Designed by Leidinger Sabine	Checked by Strubreiter Daniel	Approved by Schmidbauer Dominik	
2020/09/03		2020/09/04	
2020/09/30		2020/09/30	
97-1283-001 Part Number		Designation bumper R58.03 ALU anodized Ecoled II	Project number -
		Drawing Nr. 97128300	Tolerance CP_04-2_Toleranzen Verkabelungsprodukte
		Business Unit SALES - 36	Weight -
Dimensions in mm		Transmittal, reproduction, dissemination and/or editing of this document as well as utilization of its contents and communication there of to others without express authorization are prohibited. Offenders will be held liable for payment of damages. All rights created by patent grant or registration of a utility model or design patent are reserved.	
		Level R03	Scale not in scale
		Sheet 1 / 1	

