


**INTERIOR LIGHTING**

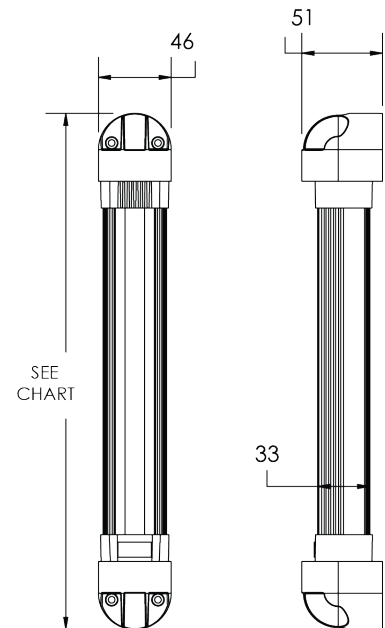
Beacons | Lightbars | Minibars | Directional LEDs | Worklamps | Back-Up Alarms | Camera Systems

## EW0700 SERIES

### Interior Lighting

Available in two length options, these heavy-duty LED cargo/work area lights feature pivoting mounting feet that allow the angle of light output to be adjusted. Each unit has an integrated on/off switch, aluminium housing and operates on both 12 and 24V systems.

#### Dimensions



#### Models

PART NO.	LENGTH	VOLT	AMPS	RAW LUMENS	EFFECTIVE LUMENS	LEDS
EW0700	327mm	12-24	0.5	400	350	6
EW0701	546mm	12-24	0.9	1250	1200	12

#### Features and Benefits

- Heavy-duty switched cargo / work area light
- Pivot-mounting foot provides adjustable lighting angles
- Surface mount (hardware included)
- Aluminium housing
- Approvals: CE, RoHS
- Warranty: 3 Years

#### Accessories

- EZ0120 PIR Motion Sensor - 100° cone, adjustable sensitivity (automatically activates light when human movement is detected)

