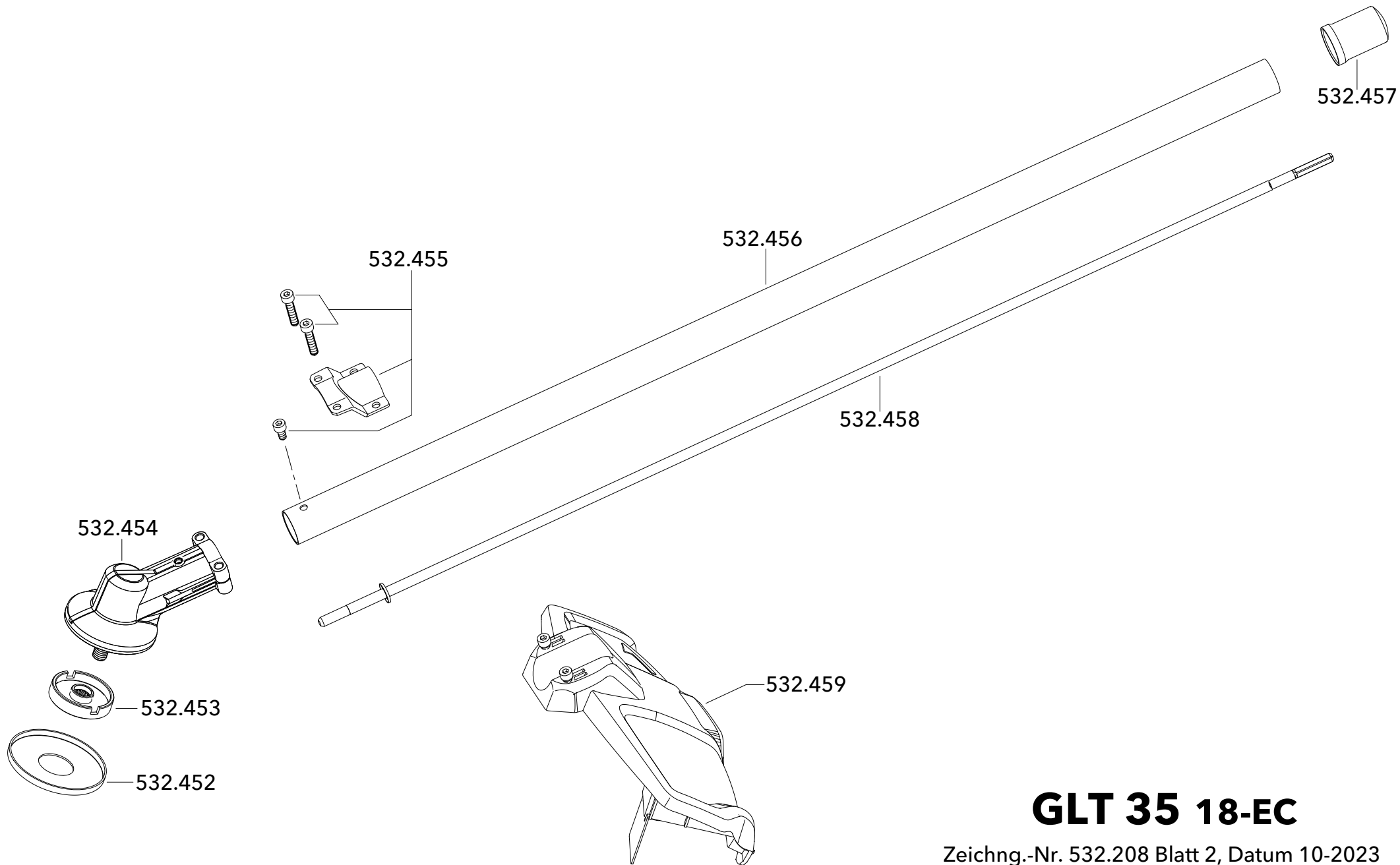


# GPH 35 18-EC

Zeichng.-Nr. 532.208 Blatt 1, Datum 10-2023  
 Drawing-no. 532.208 page 1, date 10-2023



# GLT 35 18-EC

Zeichng.-Nr. 532.208 Blatt 2, Datum 10-2023  
Drawing-no. 532.208 page 2, date 10-2023