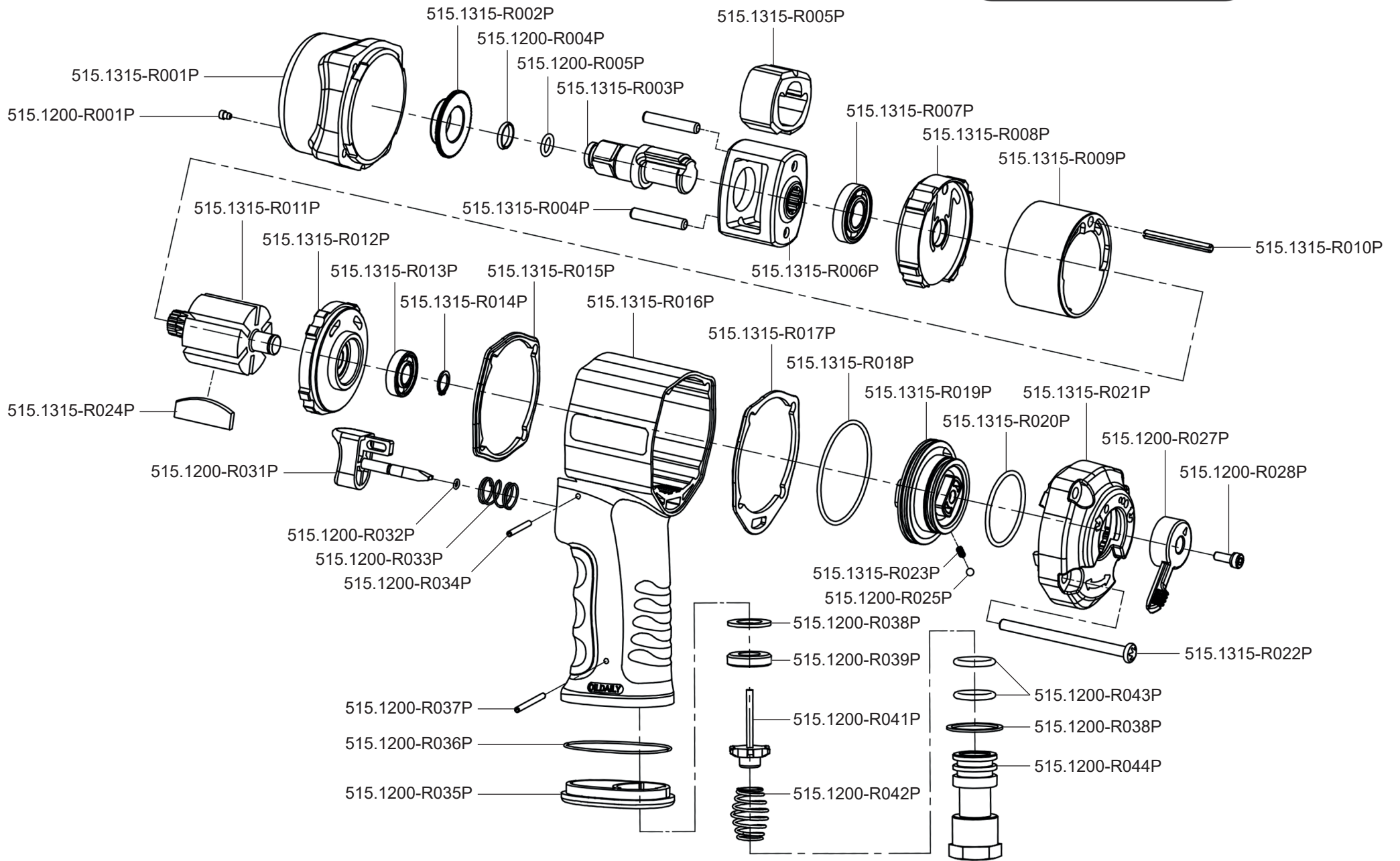


Art. 515.1315



Art. 515.1315

Art.-Nr.	Description	Beschreibung	Menge Qty.
515.1200-R004P	Socket retainer	Stecknusshaltering	1
515.1200-R005P	O-ring	O-Ring für Antriebs 4kant	1
515.1200-R025P	Steel ball	Stahlkugel	1
515.1200-R027P	Reverse switch	Umschalthebel	1
515.1200-R028P	Screw für reverse switch	Schraube für Umschalthebel	1
515.1200-R031P	Trigger	Betriebsschalter	1
515.1200-R032P	O-ring	O-Ring	1
515.1200-R033P	Spring	Feder	1
515.1200-R034P	Spring pin	Splint	1
515.1200-R035P	Spring pin	Splint	1
515.1200-R036P	O-ring	O-Ring	1
515.1200-R037P	Exhaust deflector	Abluftdeflektor	1
515.1200-R038P	Washer	Abluftdichtung	2
515.1200-R039P	Gasket	Dichtungsring	1
515.1200-R041P	Tip valve	Druckventil	1
515.1200-R042P	Valve spring	Ventilfeder	1
515.1200-R043P	O-ring	O-Ring	2
515.1200-R044P	Air inlet	Lufteinlasschraube	1
515.1315-R001P	Hammer Case	Gehäusefront	1
515.1315-R002P	Bushing	Buchse	1
515.1315-R003P	Anvil	Amboss	1

Art.-Nr.	Description	Beschreibung	Menge Qty.
515.1315-R004P	Hammer Pin	Pin	2
515.1315-R005P	Hammer Dog	Hammer	1
515.1315-R006P	Hammer Frame	Hammergehäuse	1
515.1315-R007P	Bearing	Kugellager	1
515.1315-R008P	Front Cylinder Plate	Vordere Verschlussplatte	1
515.1315-R009P	Cylinder	Rotorgehäuse	1
515.1315-R010P	Pin	Pin	1
515.1315-R011P	Rotor	Rotor	1
515.1315-R012P	Rear Cylinder Plate	Hintere Verschlussplatte	1
515.1315-R013P	Bearing	Kugellager	1
515.1315-R014P	Gasket	Dichtung	1
515.1315-R015P	Front Seal washer	Vordere Dichtung	1
515.1315-R016P	Housing	Gehäuse	1
515.1315-R017P	Rear Seal Washer	Hintere Dichtung	1
515.1315-R018P	O-ring	O-Ring	1
515.1315-R019P	Reverse Switch	Umschalter	1
515.1315-R020P	O-ring	O-Ring	1
515.1315-R021P	End cap	Gehäusedeckel	1
515.1315-R022P	End cap screw	Gehäuseschraube	4
515.1315-R023P	Steel Ball Spring	Feder	1
515.1315-R024P	Rotor Blade	Rotorblatt	6