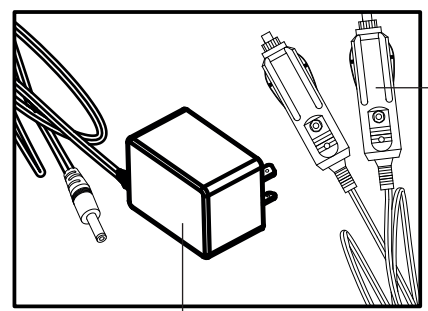


Art. 550.1720



550.1710-R022P

550.1721

550.1710-R013P

550.1710-R014P

550.1720-R007P

550.1720-R008P

550.1720-R009P

550.1710-R012P

550.1720-R006P

550.1720-R005P

550.1720-R004P

550.1710-R010P

550.1720-R010P

550.1710-R008P

550.1720-R003P

550.1720-R001P

550.1710-R017P

550.1710-R002P

550.1710-R018P

550.1710-R003P

550.1710-R019P

550.1720-R002P

550.1710-R006P

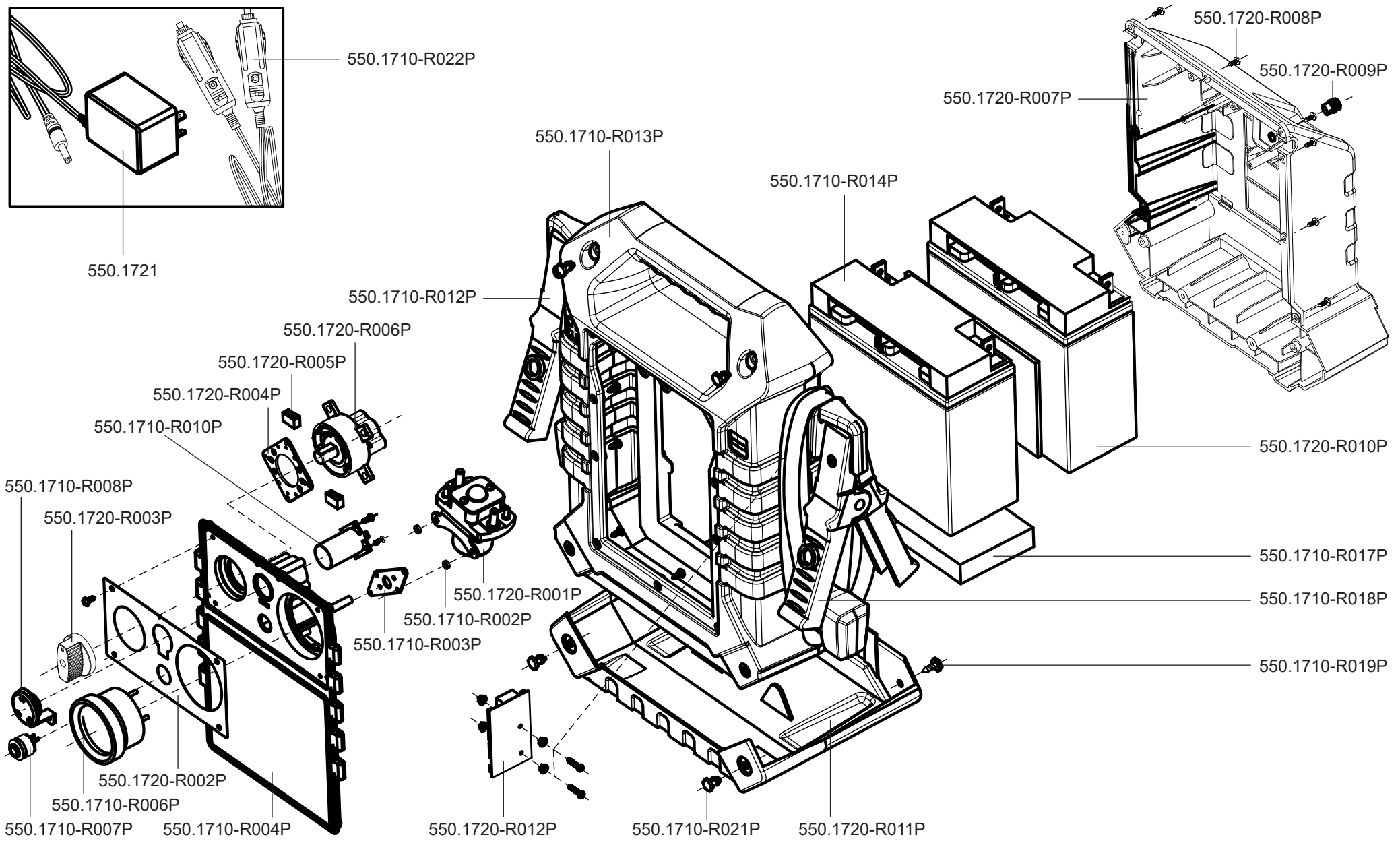
550.1710-R007P

550.1710-R004P

550.1720-R012P

550.1710-R021P

550.1720-R011P



Art. 550.1720

Art.-Nr.	Description	Beschreibung	Menge Qty.
550.1721	Charger for 550.1720	Ladegerät für 550.1720	1
550.1710-R002P	Distancer	Abstandsring	2
550.1710-R003P	Voltmeter fixer	Befestigung Spannungsmesser	1
550.1710-R004P	Front panel	Frontplatte	1
550.1710-R006P	Voltmeter	Spannungsmesser	1
550.1710-R007P	Switch for voltmeter	Voltmeter-Schalter	1
550.1710-R008P	Cigarette socket cover	Zigarettenanzünderabdeckung	1
550.1710-R010P	Cigarette socket	Zigarettenanzünderbuchse	1
550.1710-R012P	Clamp and cable	Kabel und Klemme Rot	1
550.1710-R013P	Main housing	Gehäuse	1
550.1710-R014P	Battery	Batterie	2
550.1710-R017P	Backup panel	Bodenplatte	1
550.1710-R018P	Cable and clamp	Kabel und Klemme Schwarz	1
550.1710-R019P	Screw	Schraube	2

Art.-Nr.	Description	Beschreibung	Menge Qty.
550.1710-R021P	Decoration Screw	Schraube	2
550.1710-R022P	Cigarette cable	Zigarettenanzünder Ladekabel	1
550.1720-R001P	Solenoid	Solenoid	1
550.1720-R002P	Panel label	Panelaufkleber	1
550.1720-R003P	Switch cover	Schalter	1
550.1720-R004P	Switch fixer	Schalterbefestigung	1
550.1720-R005P	Micro switch	Mikroschalter	1
550.1720-R006P	12/24V switch	12/24V Schalter	1
550.1720-R007P	Back housing	Hinteres Gehäuse	1
550.1720-R008P	Screw	Gehäuseschraube	18
550.1720-R009P	Charging port	Ladebuchse	1
550.1720-R010P	Battery adhesive tape	Batterie-Klebeband	1
550.1720-R011P	Bottom panel	Bodenabdeckung	1
550.1720-R012P	PCB	Platine	1