

# ULTRA COMPACT LED

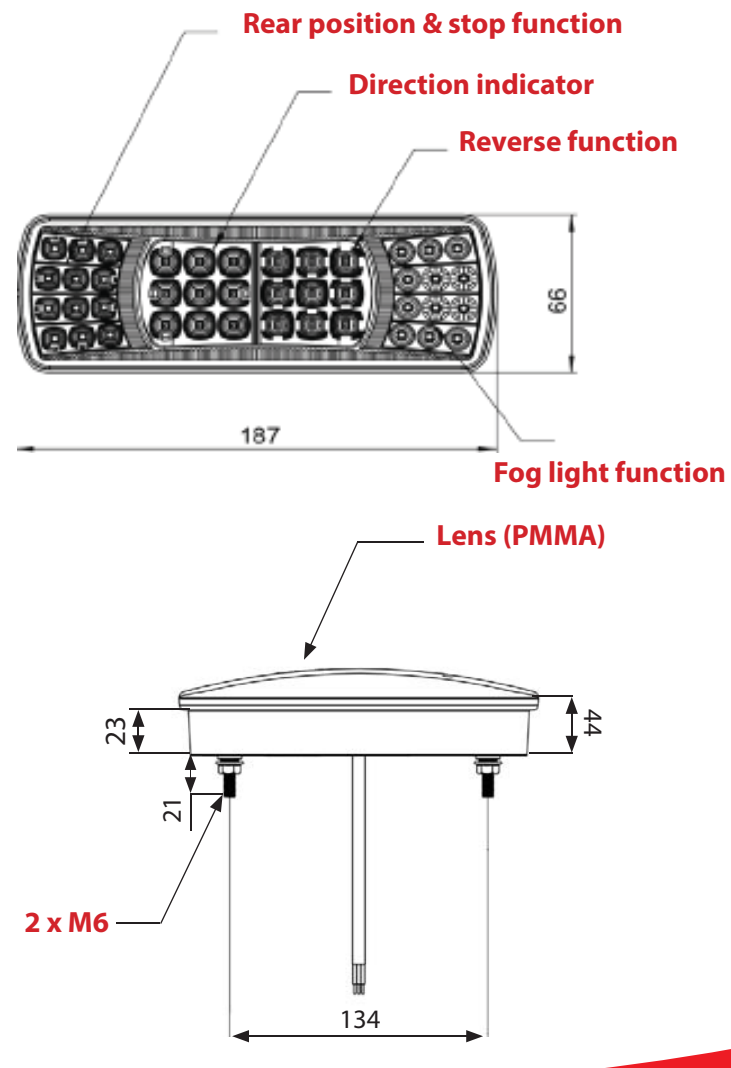
LED

D13817



12/24 V

The **Ultra Compact LED** lamp combines **5 functions**. It is very robust and compact to ensure an optimal use for a wide range of vehicle and trailer applications. For vertical and horizontal mounting.



VIGNAL SYSTEMS  
12, rue Eugène Hénaff - BP 594  
F-69637 Vénissieux Cedex  
Tel: +33 (0)4 72 90 29 29  
Email: info@vignal-systems.com  
Site Web: www.vignal-systems.com

